

## Albany Glass Globe Single Wall Light - 7 Inch

### SPECIFICATIONS

We meet all UK and EU lighting and safety regulations.

Our products are hand finished to ensure an authentic vintage look and therefore they may vary slightly from those shown in the images.

Bulb Required: Standard screw (E27) fitting, max 40W.

WEIGHT: 1.1 kg

### INFORMATION

PRODUCT CODE: AL-GLGL-S-WL7

FINISHES: Bronze, Brass.

SHADE FINISHES: Clear, Mocha.

Ready to be installed, installation required.

Wall mount screws not included.

### DIMENSIONS

H: 33.9 cm x W: 23 cm x D: 18.5 cm

SHADE DIAMETER: 17 cm / 6.7"

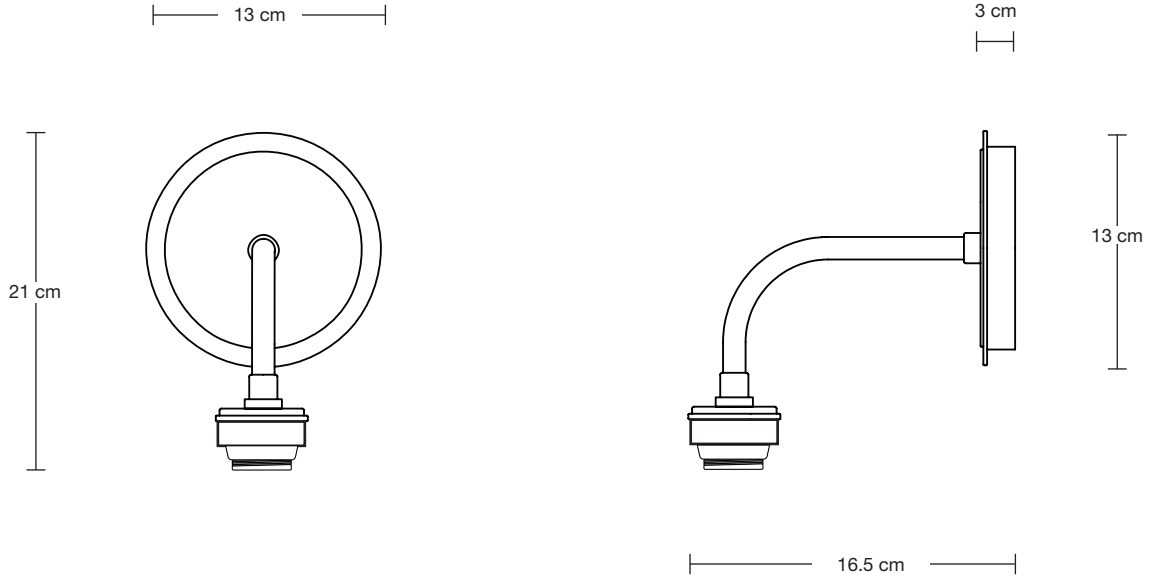
SHADE HEIGHT: 15.5 cm / 6.1"

HOLDER DIAMETER: 13 cm / 5.1"

HOLDER HEIGHT: 21 cm / 8.2"

ROSE DIAMETER: 13 cm / 5.1"

ROSE HEIGHT: 3 cm / 1.2"



## Albany Wall Holder - Single

### SPECIFICATIONS

We meet all UK and EU lighting and safety regulations.

Our products are hand finished to ensure an authentic vintage look and therefore they may vary slightly from those shown in the images.

Bulb Required: Standard screw (E27) fitting, max 40W.

WEIGHT: 0.7 kg

### INFORMATION

PRODUCT CODE: AL-WL-S

FINISHES: Bronze, Brass.

SHADE FINISHES: Clear, Mocha.

Ready to be installed, installation required.

Wall mount screws not included.

### DIMENSIONS

H: 21 cm x W: 13 cm x D: 16.5 cm

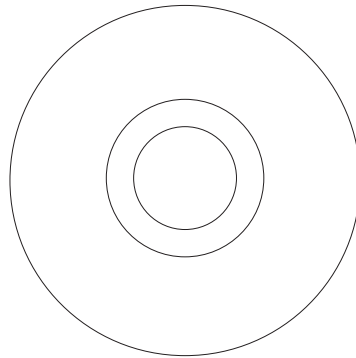
HOLDER WIDTH: 13 cm / 5.1"

HOLDER HEIGHT: 21 cm / 8.2"

ROSE DIAMETER: 13 cm / 5.1"

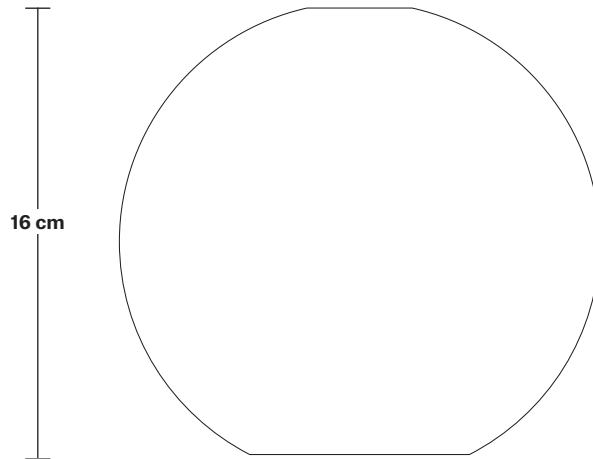
ROSE HEIGHT: 3 cm / 1.2"

SHADE ONLY



17 cm

4.3 cm



16 cm

7.9 cm

## Tinted Glass Globe - 7 Inch

### SPECIFICATIONS

We meet all UK and EU lighting and safety regulations.

Our products are hand finished to ensure an authentic vintage look and therefore they may vary slightly from those shown in the images.

Bulb Required: Standard screw (E27) fitting, max 40W.

WEIGHT: 0.5 kg

### INFORMATION

PRODUCT CODE: TGL-GL7-SO

FINISHES: Clear, Mocha.

### DIMENSIONS

H: 16 cm x W: 17 cm x D: 17 cm

SHADE DIAMETER: 17 cm / 6.7"

SHADE HEIGHT: 15.5 cm / 6.1"

INDUSTVILLE