

Boston Round Metal Diffuser Wall Light/Flush Mount - 13 inch

SPECIFICATIONS

We meet all UK and EU lighting and safety regulations.

Our products are hand finished to ensure an authentic vintage look and therefore they may vary slightly from those shown in the images.

Bulb Required: Standard screw (E27) fitting, max 40W.

WEIGHT: 1 kg

INFORMATION

PRODUCT CODE: BO-MD-WLFM13

FINISHES: Brass, Bronze, Pewter.

DIMENSIONS

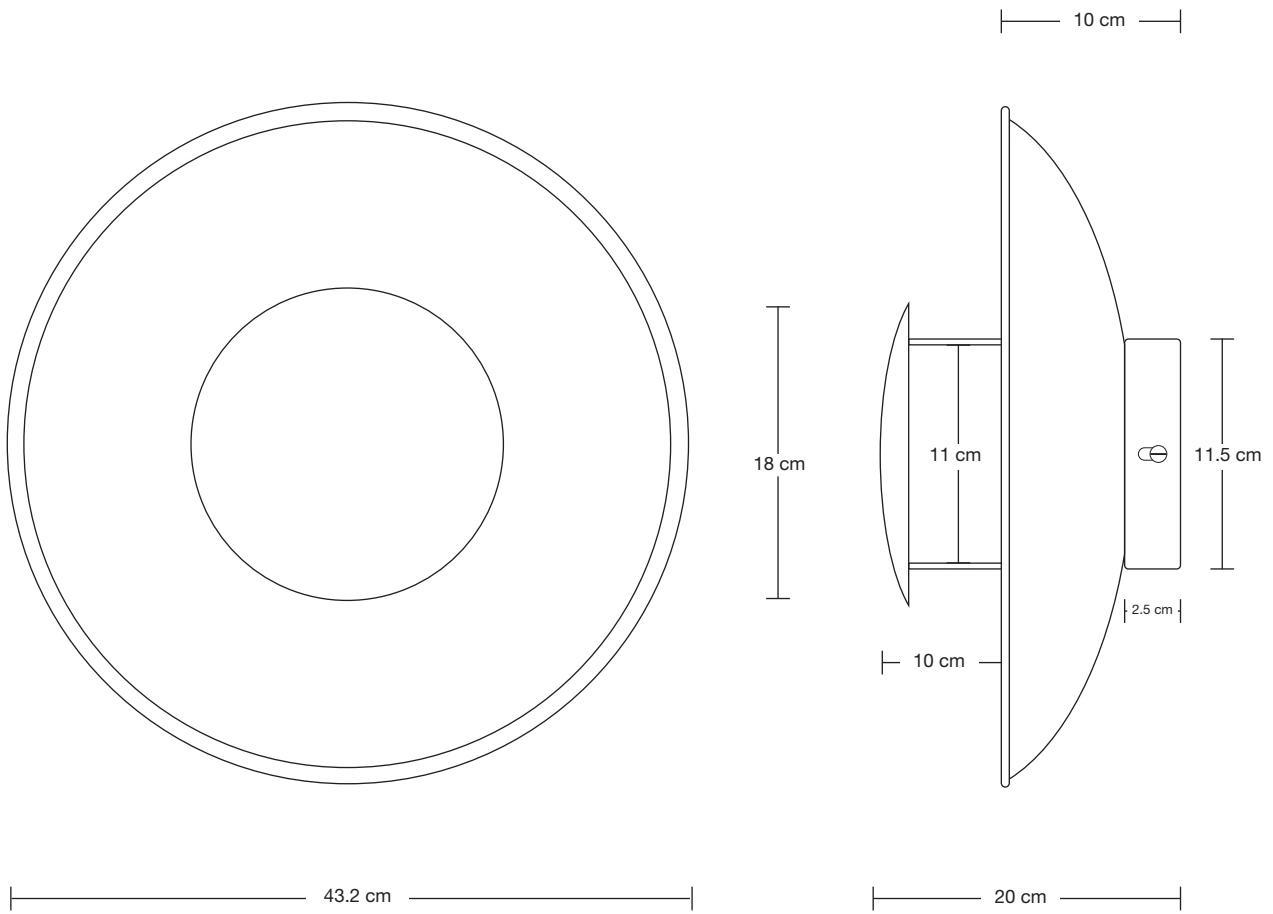
H: 33.5 cm x W: 33.5 cm x D: 15 cm

SHADE DIAMETER: 35.5 cm / 13.9"

SHADE HEIGHT: 15 cm / 5.9"

ROSE DIAMETER: 11.5 cm / 4.5"

ROSE HEIGHT: 2.5 cm / 0.9"



Boston Round Metal Diffuser Wall Light/Flush Mount - 17 inch

SPECIFICATIONS

We meet all UK and EU lighting and safety regulations.

Our products are hand finished to ensure an authentic vintage look and therefore they may vary slightly from those shown in the images.

Bulb Required: Standard screw (E27) fitting, max 40W.

WEIGHT: 1.71 kg

INFORMATION

PRODUCT CODE: BO-MD-WLFM17

FINISHES: Brass.

DIMENSIONS

H: 43 cm x W: 43 cm x D: 20 cm

SHADE DIAMETER: 43 cm / 16.9"

SHADE HEIGHT: 20 cm / 7.9"

ROSE DIAMETER: 11.5 cm / 4.5"

ROSE HEIGHT: 2.5 cm / 0.9"