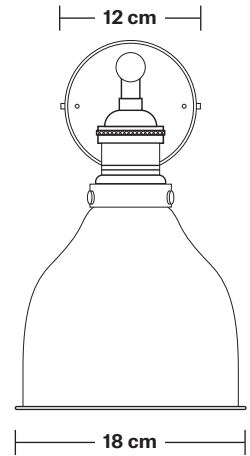
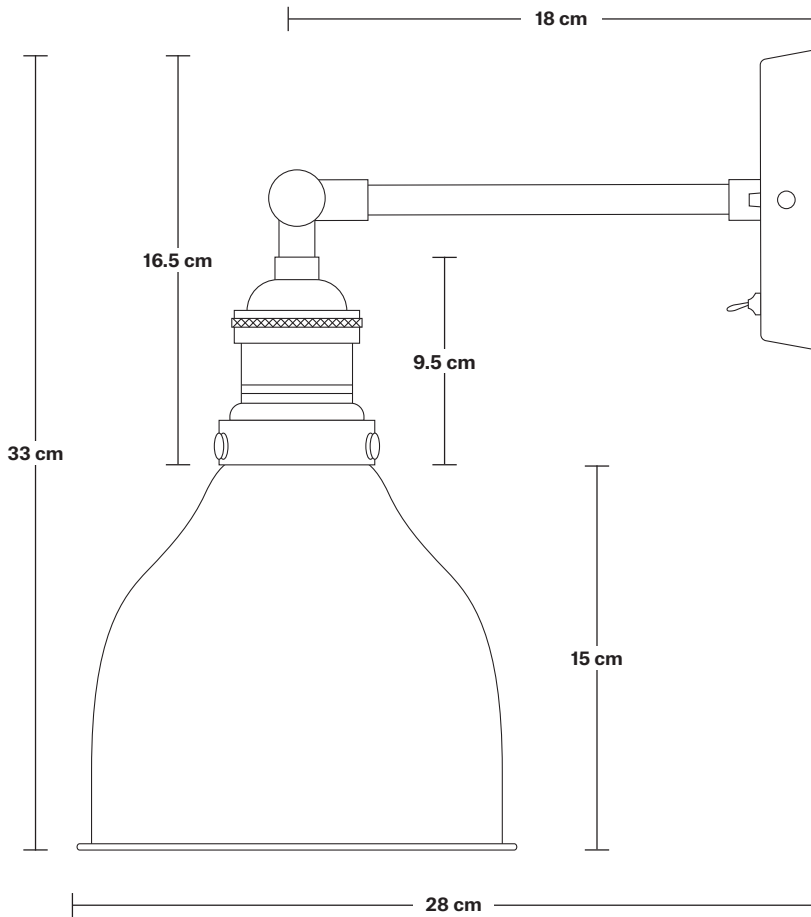


Brooklyn Cone Wall Light - 7 Inch

Product Code: BR-CWL7

H: 31.5 cm x W: 18 cm x D: 28 cm



SPECIFICATIONS

We meet all UK and EU lighting and safety regulations.

Our products are hand finished to ensure an authentic vintage look and therefore they may vary slightly from those shown in the images.

Bulb required: Standard screw (E27) fitting, max 40W.

Shade weight: 0.35 kg | **Holder weight:** 0.6 kg

Maximum weight: 0.95 kg

INFORMATION

Finishes: Brass, Pewter and Copper.

Ready to be installed, installation required.

Wall mount screws not included.

The lights can be operated by both the flick switch or the main switch.

Holders available: Brass, Pewter and Copper.

DIMENSIONS

Shade Diameter: 18 cm / 7"

Shade Height (no holder): 15 cm / 6.1"

Holder Diameter: 6 cm / 2.5"

Holder Height: 18 cm / 7.1"

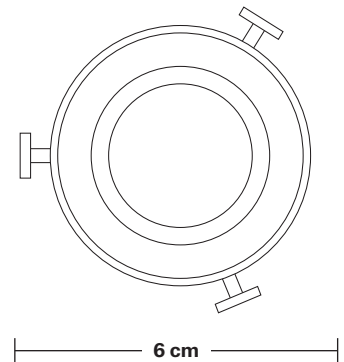
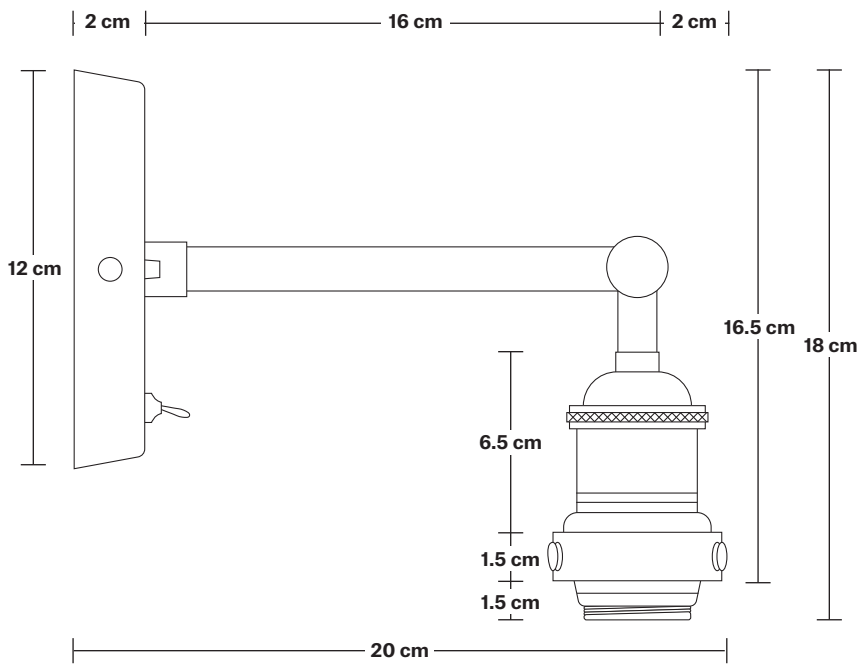
Wall Rose Diameter: 12 cm / 4.9"

Wall Rose Height: 2 cm / 0.8"

Brooklyn Wall Light Holder

Product Code: BR-WL

H: 18 cm x W: 12 cm x D: 20 cm



SPECIFICATIONS

We meet all UK and EU lighting and safety regulations.

Our products are hand finished to ensure an authentic vintage look and therefore they may vary slightly from those shown in the images.

Bulb required: Standard screw (E27) fitting, max 40W.

Weight: 0.6 kg

INFORMATION

Finishes: Brass, Pewter and Copper.

Ready to be installed, installation required.

Wall mount screws not included.

Wall mount rose: Pewter.

DIMENSIONS

Holder Diameter: 6 cm / 2.5"

Holder Height: 18 cm / 7.1"

Projection: 20 cm / 7.9"

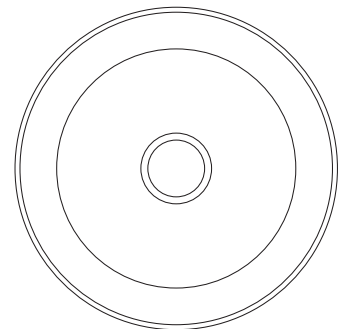
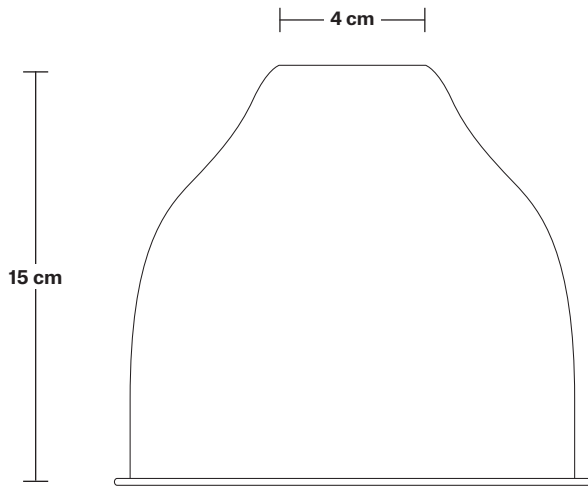
Ceiling Rose Diameter: 12 cm / 4.9"

Ceiling Rose Depth: 2 cm / 0.8"

Cone Shade - 7 Inch - Shade Only

Product Code: C7-SO

H: 15 cm x W: 18 cm x D: 18 cm



18 cm

SPECIFICATIONS

We meet all UK and EU lighting and safety regulations.

Our products are hand finished to ensure an authentic vintage look and therefore they may vary slightly from those shown in the images.

Bulb required: Standard screw (E27) fitting, max 40W.

Shade weight: 0.35 kg

INFORMATION

Finishes: Brass, Pewter and Copper.

Ready to be installed, installation required.

Wall mount screws not included.

DIMENSIONS

Shade Diameter: 18 cm / 7"

Shade Height (no holder): 15 cm / 6.1"

Cone - 7 Inch - Pewter

Shade Only

Cone - 7 Inch - Pewter - Shade Only	C7-P-SO
-------------------------------------	----------------

Brooklyn Cone Pendant - 7 Inch - Pewters

Brooklyn Cone Pendant - 7 Inch - Pewter - Brass Holder	BR-CP7-P-BH
--	--------------------

Brooklyn Cone Pendant - 7 Inch - Pewter - Pewter Holder	BR-CP7-P-PH
---	--------------------

Brooklyn Cone Pendant - 7 Inch - Pewter - Copper Holder	BR-CP7-P-CH
---	--------------------

Brooklyn Cone Flush Mount - 7 Inch - Pewter

Brooklyn Cone Flush Mount - 7 Inch - Pewter - Brass Holder	BR-CFM7-P-BH
--	---------------------

Brooklyn Cone Flush Mount - 7 Inch - Pewter - Pewter Holder	BR-CFM7-P-PH
---	---------------------

Brooklyn Cone Flush Mount - 7 Inch - Pewter - Copper Holder	BR-CFM7-P-CH
---	---------------------

Brooklyn Cone Wall Light - 7 Inch - Pewter

Brooklyn Cone Wall Light - 7 Inch - Pewter - Brass Holder	BR-CWL7-P-BH
---	---------------------

Brooklyn Cone Wall Light - 7 Inch - Pewter - Pewter Holder	BR-CWL7-P-PH
--	---------------------

Brooklyn Cone Wall Light - 7 Inch - Pewter - Copper Holder	BR-CWL7-P-CH
--	---------------------

Swan Neck Cone Wall Light - 7 Inch - Pewter

Swan Neck Cone Wall Light - 7 Inch - Pewter - Pewter Holder	SN-CWL7-P-PH
---	---------------------

Sleek Cone Pendant - 7 Inch - Pewter

Sleek Cone Pendant - 7 Inch - Pewter - Brass Holder	SL-CP7-P-BH
---	--------------------

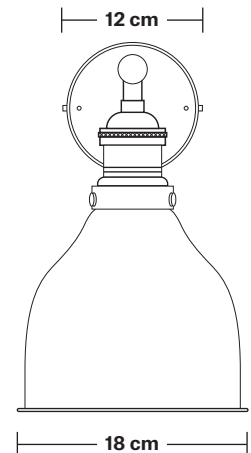
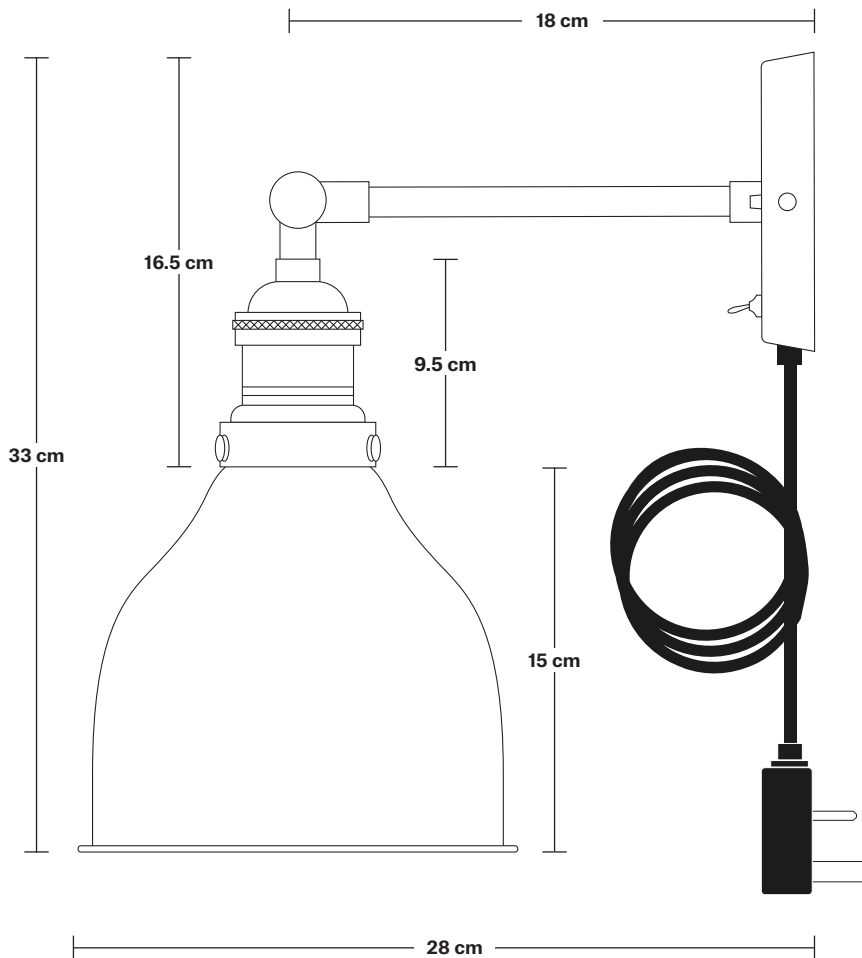
Sleek Cone Pendant - 7 Inch - Pewter - Pewter Holder	SL-CP7-P-PH
--	--------------------

Sleek Cone Pendant - 7 Inch - Pewter - Copper Holder	SL-CP7-P-CH
--	--------------------

Brooklyn Cone Wall Light - 7 Inch - With Plug

Product Code: BR-CWL7-FLWP

H: 31.5 cm x W: 18 cm x D: 28 cm



SPECIFICATIONS

We meet all UK and EU lighting and safety regulations.

Our products are hand finished to ensure an authentic vintage look and therefore they may vary slightly from those shown in the images.

Bulb required: Standard screw (E27) fitting, max 40W.

Shade weight: 0.35 kg | **Holder weight:** 0.7 kg

Maximum weight: 1.05 kg

INFORMATION

Finishes: Brass.

The lights can be operated by both the flick switch or the main switch.

Holders available: Brass, Pewter.

Flex: 1.3m Black Twisted Fabric Flex.

Plug: UK AC power plug BS1362

DIMENSIONS

Shade Diameter: 18 cm / 7"

Shade Height (no holder): 15 cm / 6.1"

Holder Diameter: 6 cm / 2.5"

Holder Height: 18 cm / 7.1"

Wall Rose Diameter: 12 cm / 4.9"

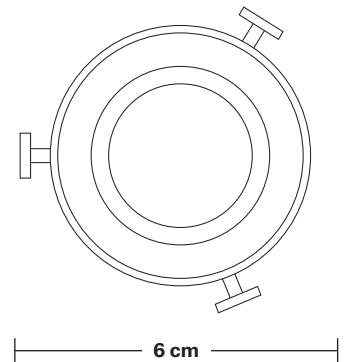
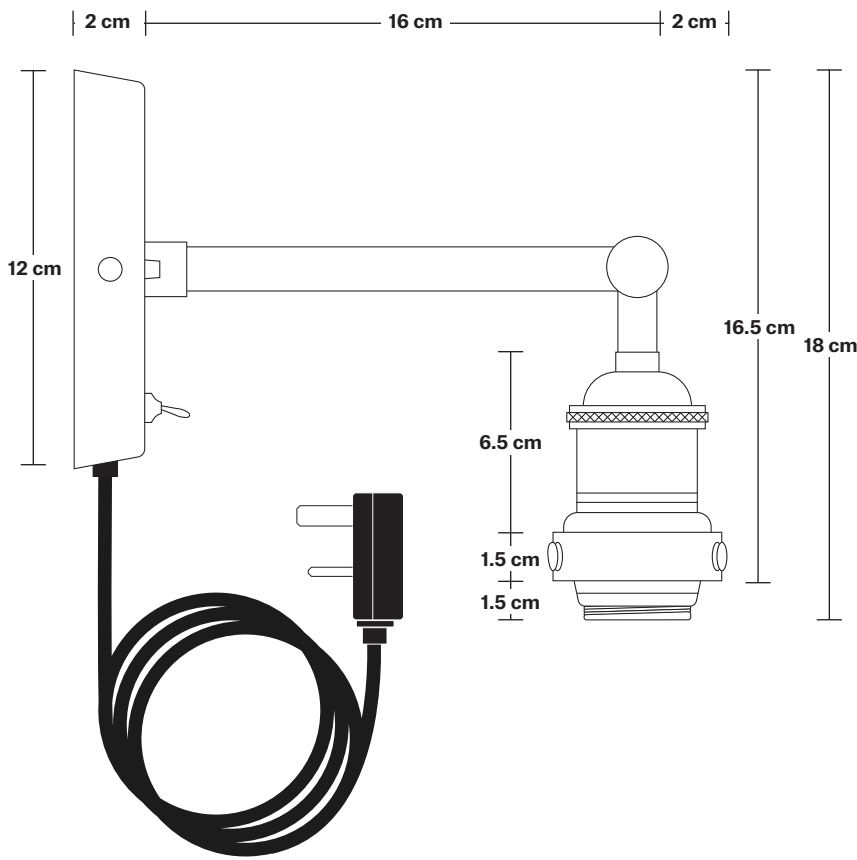
Wall Rose Height: 2 cm / 0.8"

INDUSTVILLE

Brooklyn Wall Holder With Plug

Product Code: BR-WL-FLWP

H: 18 cm x W: 12 cm x D: 20 cm



SPECIFICATIONS

We meet all UK and EU lighting and safety regulations.

Our products are hand finished to ensure an authentic vintage look and therefore they may vary slightly from those shown in the images.

Bulb required: Standard screw (E27) fitting, max 40W.

Weight: 0.7 kg

INFORMATION

Finishes: Brass, Pewter, Copper.

Wall mount screws not included.

The lights can be operated by both the flick switch or the main switch.

Wall rose: Pewter.

Flex: 1.3m Black Twisted Fabric Flex.

Plug: UK AC power plug BS1362

DIMENSIONS

Holder Diameter: 6 cm / 2.5"

Holder Height: 18 cm / 7.1"

Projection: 20 cm / 7.9"

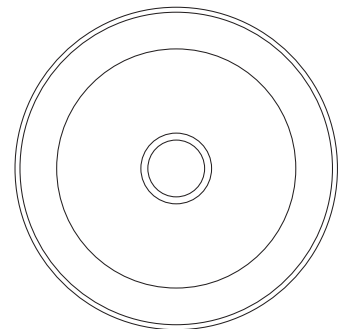
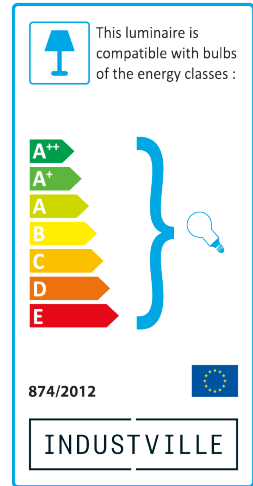
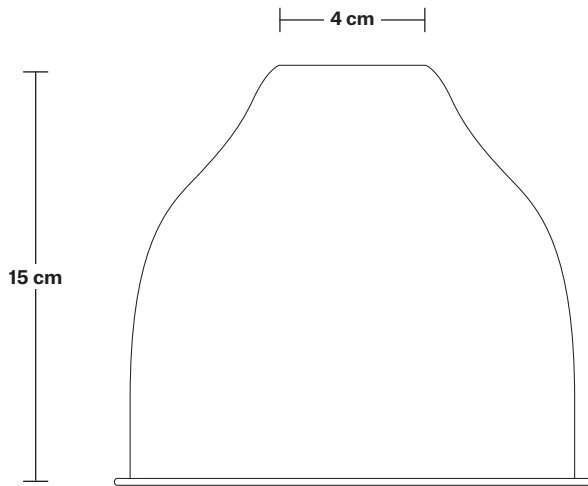
Wall Rose Diameter: 12 cm / 4.9"

Wall Rose Depth: 2 cm / 0.8"

Cone Shade - 7 Inch - Shade Only

Product Code: C7-SO

H: 15 cm x W: 18 cm x D: 18 cm



18 cm

SPECIFICATIONS

We meet all UK and EU lighting and safety regulations.

Our products are hand finished to ensure an authentic vintage look and therefore they may vary slightly from those shown in the images.

Bulb required: Standard screw (E27) fitting, max 40W.

Shade weight: 0.35 kg

INFORMATION

Finishes: Brass, Pewter and Copper.

Ready to be installed, installation required.

Wall mount screws not included.

DIMENSIONS

Shade Diameter: 18 cm / 7"

Shade Height (no holder): 15 cm / 6.1"

Brooklyn Cone Wall Light - 7 Inch - Brass - With Plug

Shade Only

Cone - 7 Inch - Brass - Shade Only**C7-B-SO**

Brooklyn Cone Wall Light - 7 Inch - Brass

Brooklyn Cone Wall Light - 7 Inch - Brass - Brass Holder With Plug**BR-CWL7-B-BH-FLWP**

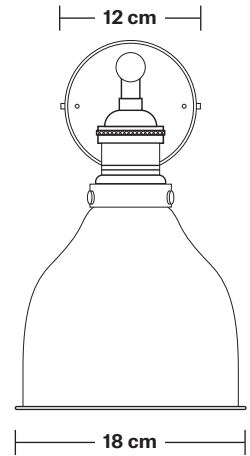
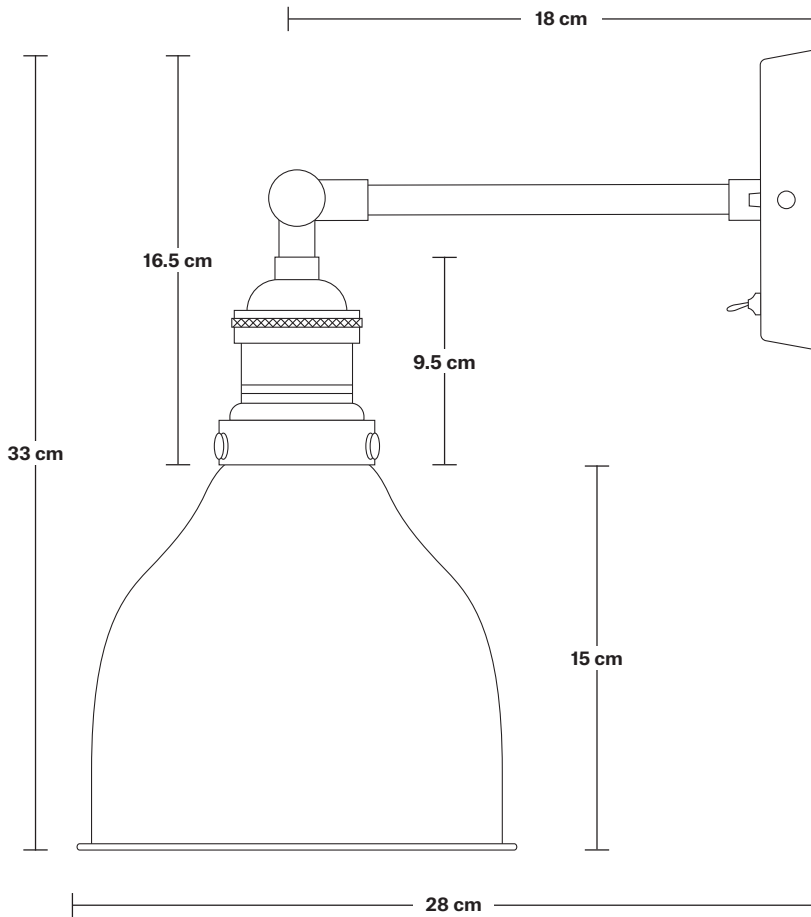
Brooklyn Cone Wall Light - 7 Inch - Brass - Pewter Holder With Plug

BR-CWL7-B-PH-FLWP

Brooklyn Cone Wall Light - 7 Inch

Product Code: BR-CWL7

H: 31.5 cm x W: 18 cm x D: 28 cm



SPECIFICATIONS

We meet all UK and EU lighting and safety regulations.

Our products are hand finished to ensure an authentic vintage look and therefore they may vary slightly from those shown in the images.

Bulb required: Standard screw (E27) fitting, max 40W.

Shade weight: 0.35 kg | **Holder weight:** 0.6 kg

Maximum weight: 0.95 kg

INFORMATION

Finishes: Brass, Pewter and Copper.

Ready to be installed, installation required.

Wall mount screws not included.

The lights can be operated by both the flick switch or the main switch.

Holders available: Brass, Pewter and Copper.

DIMENSIONS

Shade Diameter: 18 cm / 7"

Shade Height (no holder): 15 cm / 6.1"

Holder Diameter: 6 cm / 2.5"

Holder Height: 18 cm / 7.1"

Wall Rose Diameter: 12 cm / 4.9"

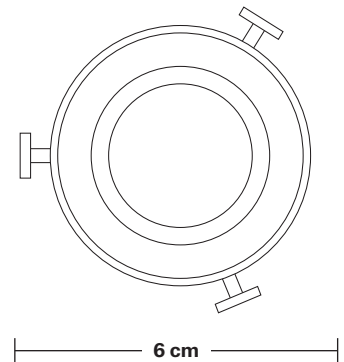
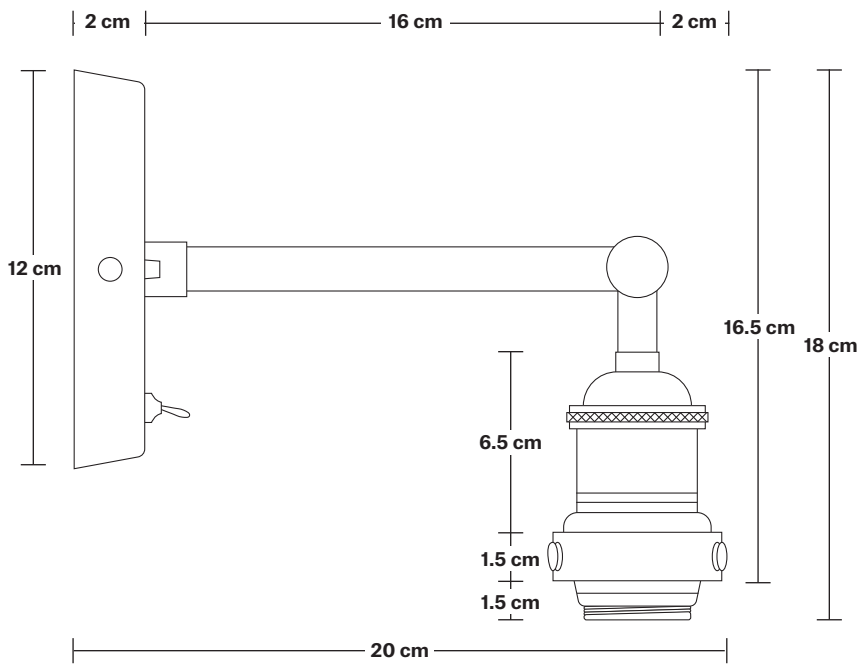
Wall Rose Height: 2 cm / 0.8"

INDUSTVILLE

Brooklyn Wall Light Holder

Product Code: BR-WL

H: 18 cm x W: 12 cm x D: 20 cm



SPECIFICATIONS

We meet all UK and EU lighting and safety regulations.

Our products are hand finished to ensure an authentic vintage look and therefore they may vary slightly from those shown in the images.

Bulb required: Standard screw (E27) fitting, max 40W.

Weight: 0.6 kg

INFORMATION

Finishes: Brass, Pewter and Copper.

Ready to be installed, installation required.

Wall mount screws not included.

Wall mount rose: Pewter.

DIMENSIONS

Holder Diameter: 6 cm / 2.5"

Holder Height: 18 cm / 7.1"

Projection: 20 cm / 7.9"

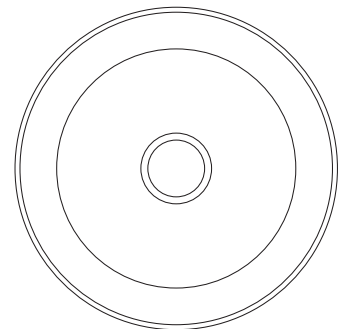
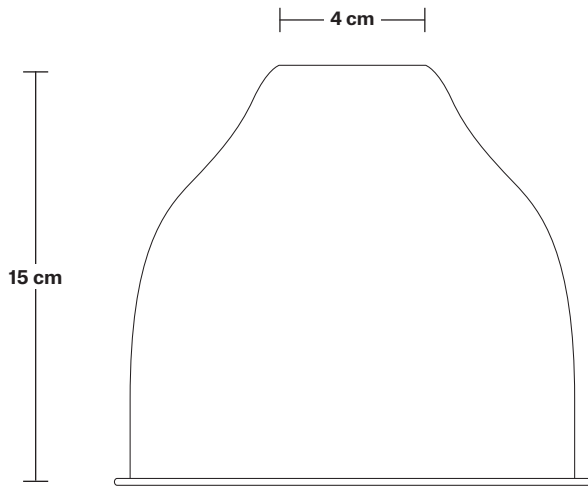
Ceiling Rose Diameter: 12 cm / 4.9"

Ceiling Rose Depth: 2 cm / 0.8"

Cone Shade - 7 Inch - Shade Only

Product Code: C7-SO

H: 15 cm x W: 18 cm x D: 18 cm



18 cm

SPECIFICATIONS

We meet all UK and EU lighting and safety regulations.

Our products are hand finished to ensure an authentic vintage look and therefore they may vary slightly from those shown in the images.

Bulb required: Standard screw (E27) fitting, max 40W.

Shade weight: 0.35 kg

INFORMATION

Finishes: Brass, Pewter and Copper.

Ready to be installed, installation required.

Wall mount screws not included.

DIMENSIONS

Shade Diameter: 18 cm / 7"

Shade Height (no holder): 15 cm / 6.1"

Cone - 7 Inch - Copper

Shade Only

Cone - 7 Inch - Copper - Shade Only

C7-C-SO

Brooklyn Cone Pendant - 7 Inch - Copper

Brooklyn Cone Pendant - 7 Inch - Copper - Pewter Holder

BR-CP7-C-PH

Brooklyn Cone Pendant - 7 Inch - Copper - Copper Holder

BR-CP7-C-CH

Brooklyn Cone Flush Mount - 7 Inch - Copper

Brooklyn Cone Flush Mount - 7 Inch - Copper- Pewter Holder

BR-CFM7-C-PH

Brooklyn Cone Flush Mount - 7 Inch - Copper- Copper Holder

BR-CFM7-C-CH

Brooklyn Cone Wall Light - 7 Inch - Copper

Brooklyn Cone Wall Light - 7 Inch - Copper- Pewter Holder

BR-CWL7-C-PH

Brooklyn Cone Wall Light - 7 Inch - Copper- Copper Holder

BR-CWL7-C-CH

Sleek Cone Pendant - 7 Inch - Copper

Sleek Cone Pendant - 7 Inch - Copper - Pewter Holder

SL-CP7-C-PH

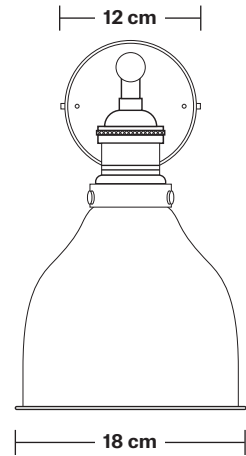
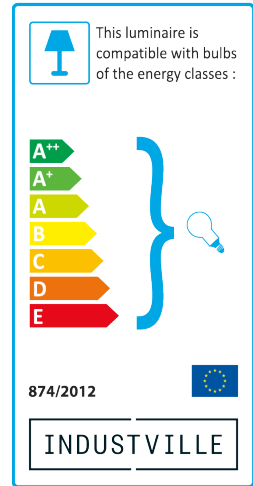
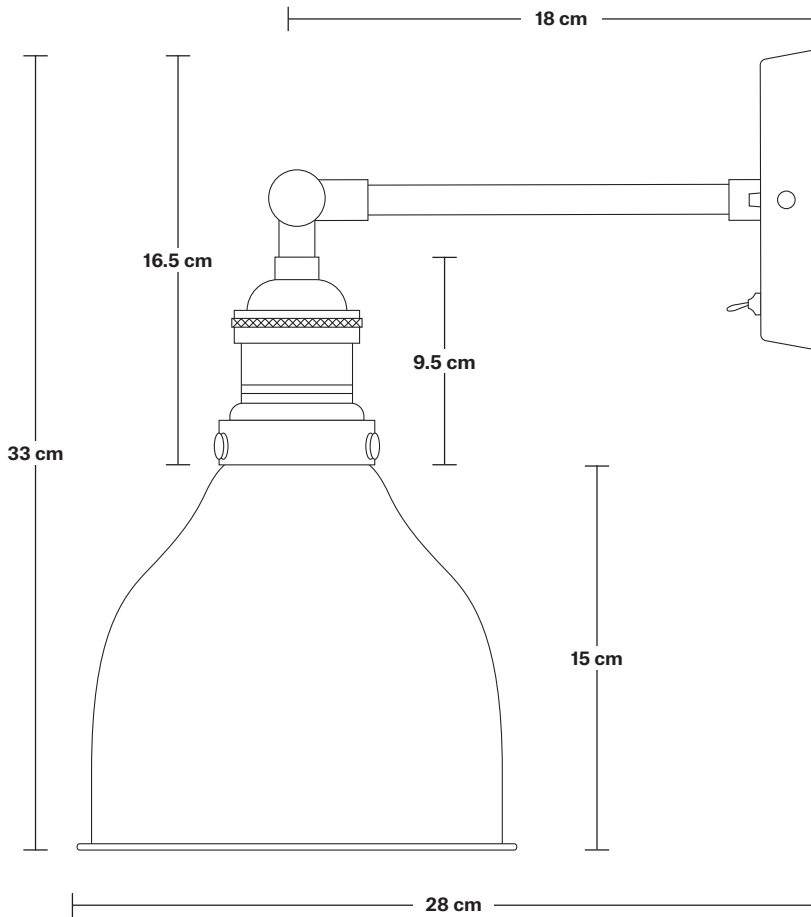
Sleek Cone Pendant - 7 Inch - Copper - Copper Holder

SL-CP7-C-CH

Brooklyn Cone Wall Light - 7 Inch

Product Code: BR-CWL7

H: 31.5 cm x W: 18 cm x D: 28 cm



SPECIFICATIONS

We meet all UK and EU lighting and safety regulations.

Our products are hand finished to ensure an authentic vintage look and therefore they may vary slightly from those shown in the images.

Bulb required: Standard screw (E27) fitting, max 40W.

Shade weight: 0.35 kg | **Holder weight:** 0.6 kg

Maximum weight: 0.95 kg

INFORMATION

Finishes: Brass, Pewter and Copper.

Ready to be installed, installation required.

Wall mount screws not included.

The lights can be operated by both the flick switch or the main switch.

Holders available: Brass, Pewter and Copper.

DIMENSIONS

Shade Diameter: 18 cm / 7"

Shade Height (no holder): 15 cm / 6.1"

Holder Diameter: 6 cm / 2.5"

Holder Height: 18 cm / 7.1"

Wall Rose Diameter: 12 cm / 4.9"

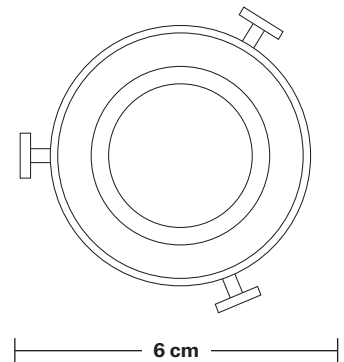
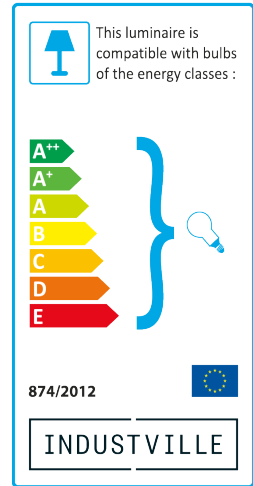
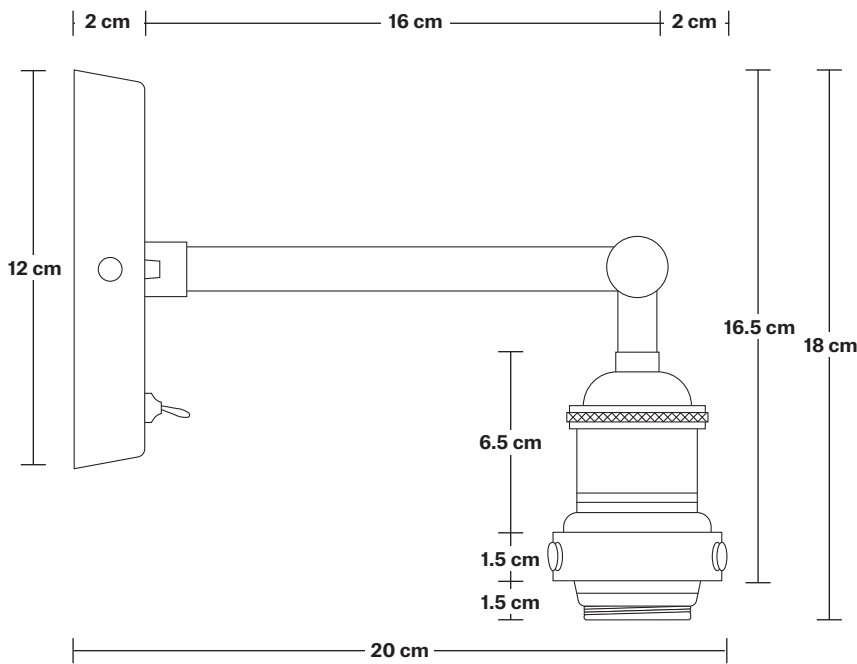
Wall Rose Height: 2 cm / 0.8"

INDUSTVILLE

Brooklyn Wall Light Holder

Product Code: BR-WL

H: 18 cm x W: 12 cm x D: 20 cm



SPECIFICATIONS

We meet all UK and EU lighting and safety regulations.

Our products are hand finished to ensure an authentic vintage look and therefore they may vary slightly from those shown in the images.

Bulb required: Standard screw (E27) fitting, max 40W.

Weight: 0.6 kg

INFORMATION

Finishes: Brass, Pewter and Copper.

Ready to be installed, installation required.

Wall mount screws not included.

Wall mount rose: Pewter.

DIMENSIONS

Holder Diameter: 6 cm / 2.5"

Holder Height: 18 cm / 7.1"

Projection: 20 cm / 7.9"

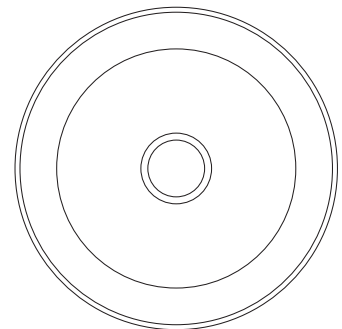
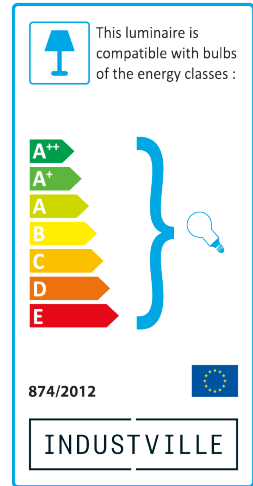
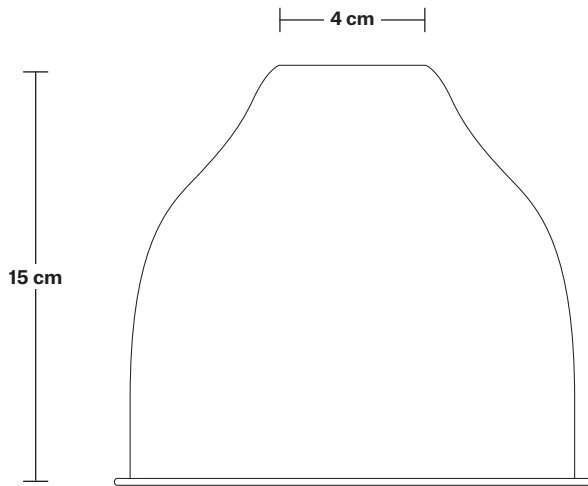
Ceiling Rose Diameter: 12 cm / 4.9"

Ceiling Rose Depth: 2 cm / 0.8"

Cone Shade - 7 Inch - Shade Only

Product Code: C7-SO

H: 15 cm x W: 18 cm x D: 18 cm



18 cm

SPECIFICATIONS

We meet all UK and EU lighting and safety regulations.

Our products are hand finished to ensure an authentic vintage look and therefore they may vary slightly from those shown in the images.

Bulb required: Standard screw (E27) fitting, max 40W.

Shade weight: 0.35 kg

INFORMATION

Finishes: Brass, Pewter and Copper.

Ready to be installed, installation required.

Wall mount screws not included.

DIMENSIONS

Shade Diameter: 18 cm / 7"

Shade Height (no holder): 15 cm / 6.1"

Cone - 7 Inch - Brass

Shade Only

Cone - 7 Inch - Brass - Shade Only	C7-B-SO
------------------------------------	----------------

Brooklyn Cone Pendant - 7 Inch - Brass

Brooklyn Cone Pendant - 7 Inch - Brass - Brass Holder	BR-CP7-B-BH
---	--------------------

Brooklyn Cone Pendant - 7 Inch - Brass - Pewter Holder	BR-CP7-B-PH
--	--------------------

Brooklyn Cone Flush Mount - 7 Inch - Brass

Brooklyn Cone Flush Mount - 7 Inch - Brass - Brass Holder	BR-CFM7-B-BH
---	---------------------

Brooklyn Cone Flush Mount - 7 Inch - Brass - Pewter Holder	BR-CFM7-B-PH
--	---------------------

Brooklyn Cone Wall Light - 7 Inch - Brass

Brooklyn Cone Wall Light - 7 Inch - Brass - Brass Holder	BR-CWL7-B-BH
--	---------------------

Brooklyn Cone Wall Light - 7 Inch - Brass - Pewter Holder	BR-CWL7-B-PH
---	---------------------

Swan Neck Cone Wall Light - 7 Inch - Brass

Swan Neck Cone Wall Light - 7 Inch - Brass - Brass Holder	SN-CWL7-B-BH
---	---------------------

Sleek Cone Pendant - 7 Inch - Brass

Sleek Cone Pendant - 7 Inch - Brass - Brass Holder	SL-CP7-B-BH
--	--------------------

Sleek Cone Pendant - 7 Inch - Brass - Pewter Holder	SL-CP7-B-PH
---	--------------------