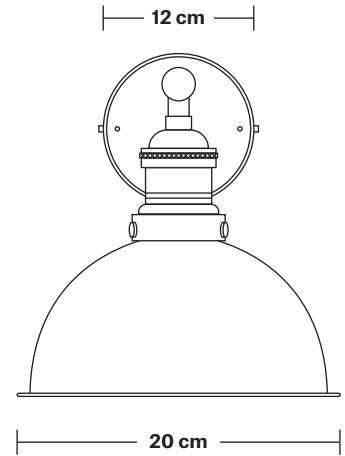
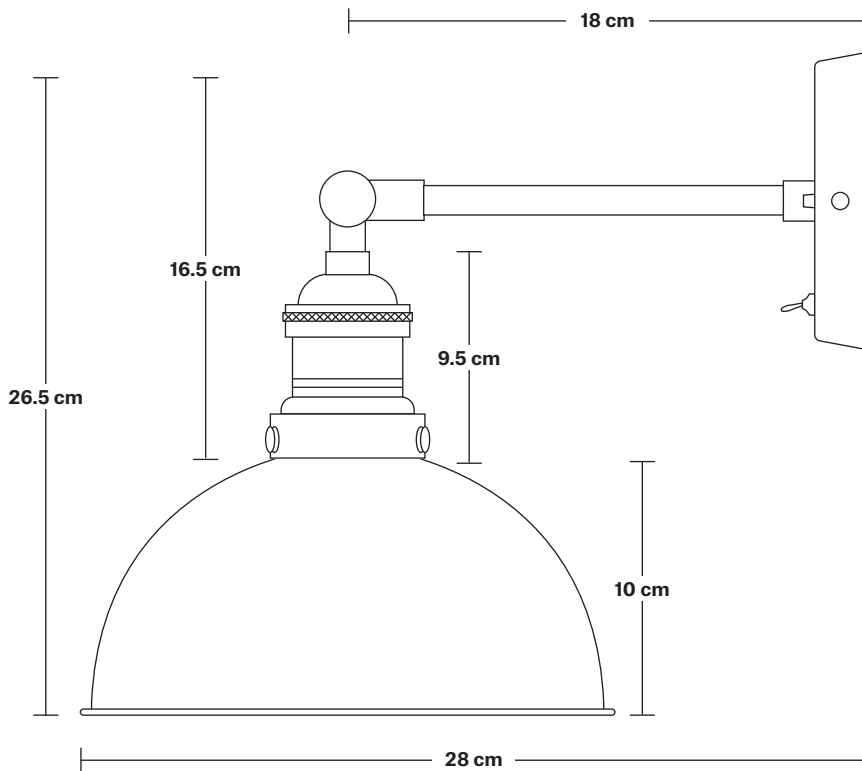


Brooklyn Dome Wall Light - 8 Inch

Product Code: BR-DWL8

H: 26.5 cm x W: 20 cm x D: 28 cm



SPECIFICATIONS

We meet all UK and EU lighting and safety regulations.

Our products are hand finished to ensure an authentic vintage look and therefore they may vary slightly from those shown in the images.

Bulb required: Standard screw (E27) fitting, max 40W.

Shade weight: 0.4 kg | **Holder weight:** 0.6 kg

Maximum weight: 1 kg

INFORMATION

Finishes: Brass, Pewter, Copper, Copper & Pewter, Brass & Pewter.

Ready to be installed, installation required.

Wall mount screws not included.

The lights can be operated by both the flick switch or the main switch.

Holders available: Brass, Pewter and Copper.

DIMENSIONS

Shade Diameter: 20 cm / 8"

Shade Height (no holder): 10 cm / 4"

Holder Diameter: 6 cm / 2.5"

Holder Height: 18 cm / 7.1"

Wall Rose Diameter: 12 cm / 4.9"

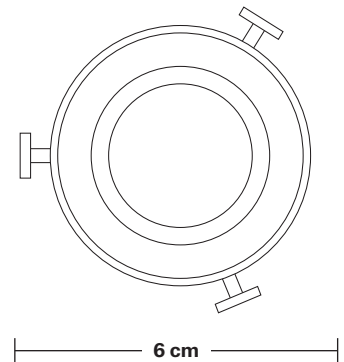
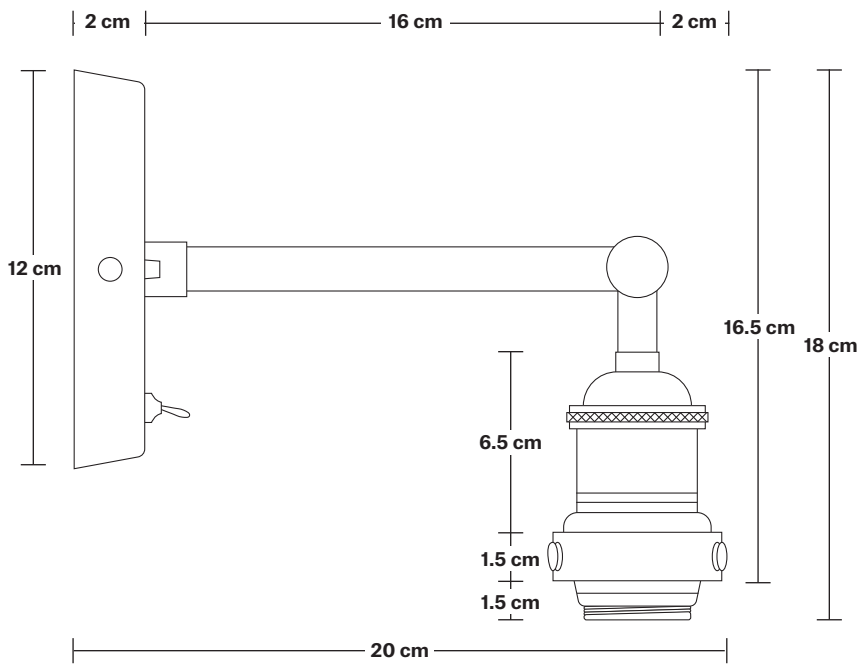
Wall Rose Height: 2 cm / 0.8"

INDUSTVILLE

Brooklyn Wall Light Holder

Product Code: BR-WL

H: 18 cm x W: 12 cm x D: 20 cm



SPECIFICATIONS

We meet all UK and EU lighting and safety regulations.

Our products are hand finished to ensure an authentic vintage look and therefore they may vary slightly from those shown in the images.

Bulb required: Standard screw (E27) fitting, max 40W.

Weight: 0.6 kg

INFORMATION

Finishes: Brass, Pewter and Copper.

Ready to be installed, installation required.

Wall mount screws not included.

Wall mount rose: Pewter.

DIMENSIONS

Holder Diameter: 6 cm / 2.5"

Holder Height: 18 cm / 7.1"

Projection: 20 cm / 7.9"

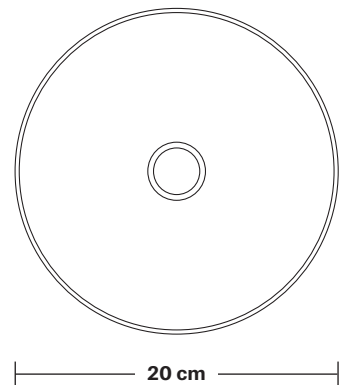
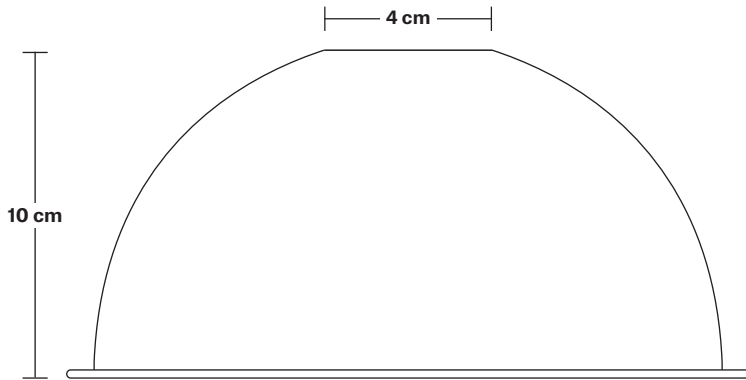
Ceiling Rose Diameter: 12 cm / 4.9"

Ceiling Rose Depth: 2 cm / 0.8"

Dome - 8 Inch - Shade Only

Product Code: D8-SO

H: 10 cm x W: 20 cm x D: 20 cm



SPECIFICATIONS

We meet all UK and EU lighting and safety regulations.

Our products are hand finished to ensure an authentic vintage look and therefore they may vary slightly from those shown in the images.

Bulb required: Standard screw (E27) fitting, max 40W.

Shade weight: 0.4 kg

INFORMATION

Finishes: Brass, Pewter, Copper, Copper & Pewter, Brass & Pewter.

Ready to be installed, installation required.

Wall mount screws not included.

DIMENSIONS

Shade Diameter: 20 cm / 8"

Shade Height: 10 cm / 4"

Dome - 8 Inch - Copper

Shade Only

Dome - 8 Inch - Copper - Shade Only

D8-C-SO

Brooklyn Dome Pendant - 8 Inch - Copper

Brooklyn Dome Pendant - 8 Inch - Copper - Pewter Holder

BR-DP8-C-PH

Brooklyn Dome Pendant - 8 Inch - Copper - Copper Holder

BR-DP8-C-CH

Brooklyn Dome Flush Mount - 8 Inch - Copper

Brooklyn Dome Flush Mount - 8 Inch - Copper - Pewter Holder

BR-DFM8-C-PH

Brooklyn Dome Flush Mount - 8 Inch - Copper - Copper Holder

BR-DFM8-C-CH

Brooklyn Dome Wall Light - 8 Inch - Copper

Brooklyn Dome Wall Light - 8 Inch - Copper - Pewter Holder

BR-DWL8-C-PH

Brooklyn Dome Wall Light - 8 Inch - Copper - Copper Holder

BR-DWL8-C-CH

Sleek Dome Pendant - 8 Inch - Copper

Sleek Dome Pendant - 8 Inch - Copper - Pewter Holder

SL-DP8-P-PH

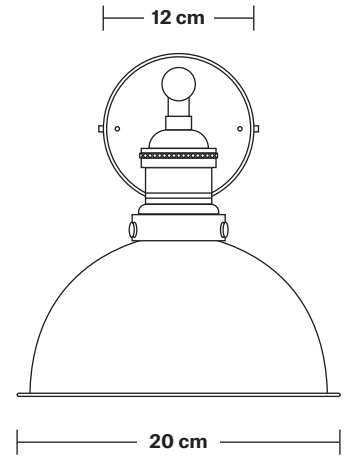
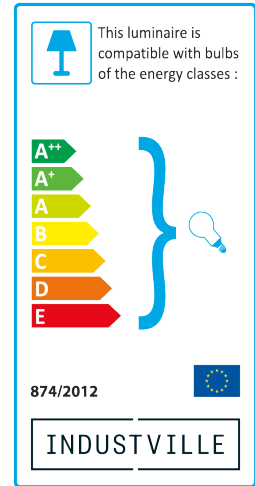
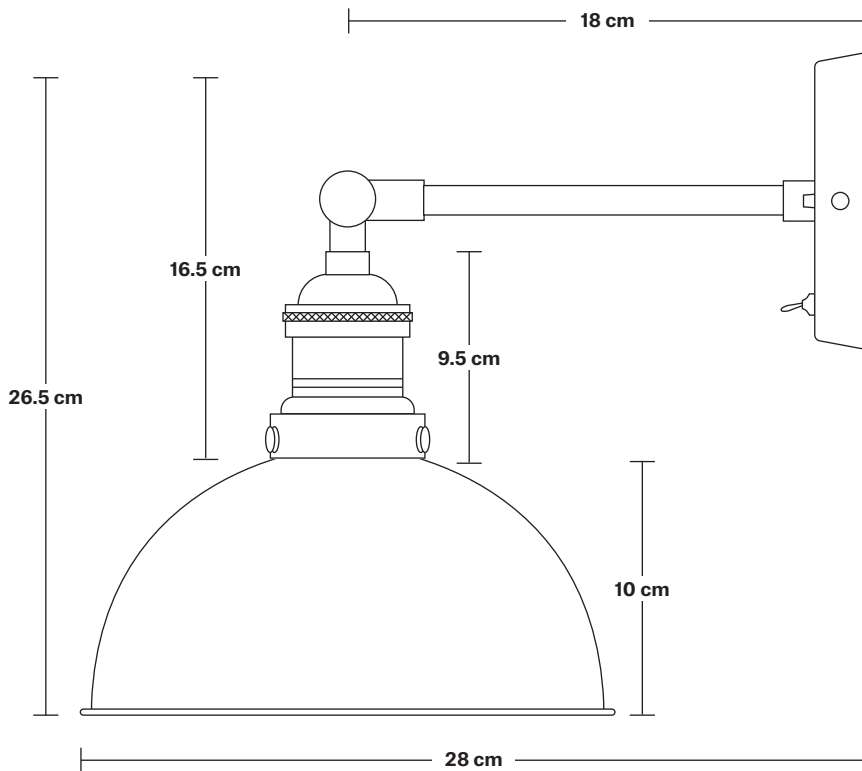
Sleek Dome Pendant - 8 Inch - Copper - Copper Holder

SL-DP8-P-CH

Brooklyn Dome Wall Light - 8 Inch

Product Code: BR-DWL8

H: 26.5 cm x W: 20 cm x D: 28 cm



SPECIFICATIONS

We meet all UK and EU lighting and safety regulations.

Our products are hand finished to ensure an authentic vintage look and therefore they may vary slightly from those shown in the images.

Bulb required: Standard screw (E27) fitting, max 40W.

Shade weight: 0.4 kg | **Holder weight:** 0.6 kg

Maximum weight: 1 kg

INFORMATION

Finishes: Brass, Pewter, Copper, Copper & Pewter, Brass & Pewter.

Ready to be installed, installation required.

Wall mount screws not included.

The lights can be operated by both the flick switch or the main switch.

Holders available: Brass, Pewter and Copper.

DIMENSIONS

Shade Diameter: 20 cm / 8"

Shade Height (no holder): 10 cm / 4"

Holder Diameter: 6 cm / 2.5"

Holder Height: 18 cm / 7.1"

Wall Rose Diameter: 12 cm / 4.9"

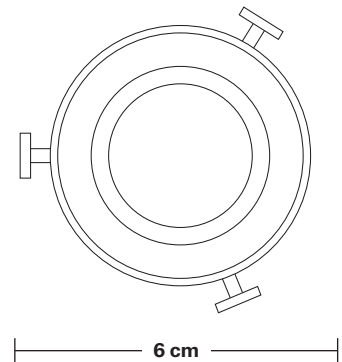
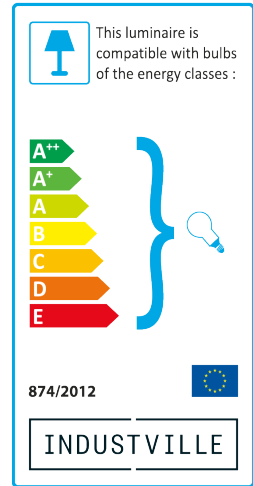
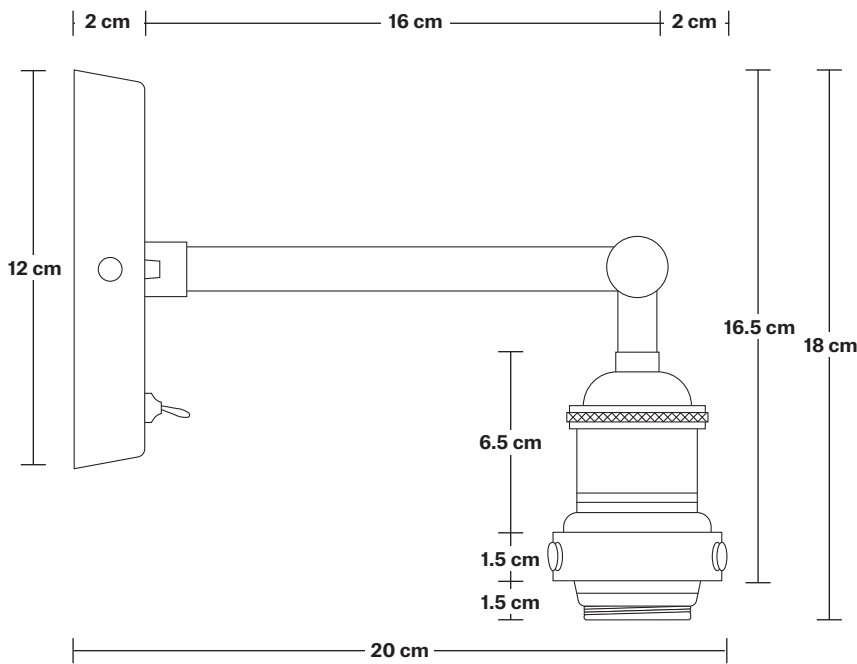
Wall Rose Height: 2 cm / 0.8"

INDUSTVILLE

Brooklyn Wall Light Holder

Product Code: BR-WL

H: 18 cm x W: 12 cm x D: 20 cm



SPECIFICATIONS

We meet all UK and EU lighting and safety regulations.

Our products are hand finished to ensure an authentic vintage look and therefore they may vary slightly from those shown in the images.

Bulb required: Standard screw (E27) fitting, max 40W.

Weight: 0.6 kg

INFORMATION

Finishes: Brass, Pewter and Copper.

Ready to be installed, installation required.

Wall mount screws not included.

Wall mount rose: Pewter.

DIMENSIONS

Holder Diameter: 6 cm / 2.5"

Holder Height: 18 cm / 7.1"

Projection: 20 cm / 7.9"

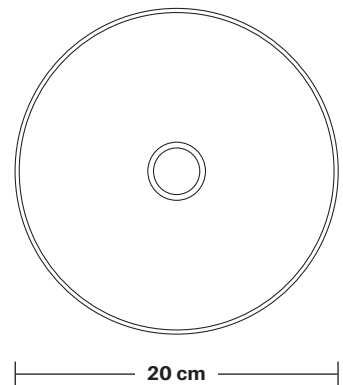
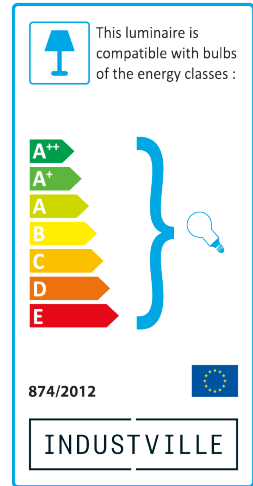
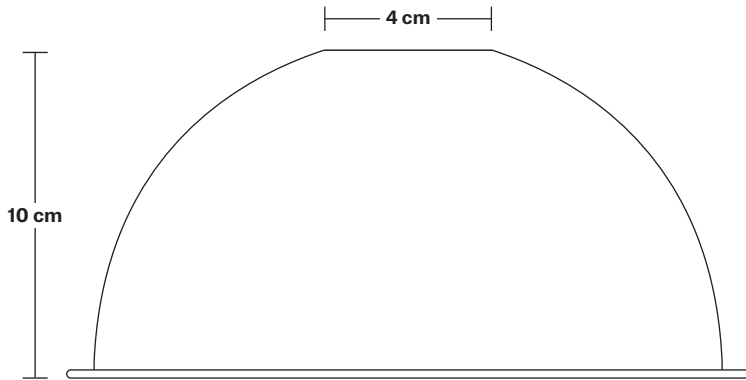
Ceiling Rose Diameter: 12 cm / 4.9"

Ceiling Rose Depth: 2 cm / 0.8"

Dome - 8 Inch - Shade Only

Product Code: D8-SO

H: 10 cm x W: 20 cm x D: 20 cm



SPECIFICATIONS

We meet all UK and EU lighting and safety regulations.

Our products are hand finished to ensure an authentic vintage look and therefore they may vary slightly from those shown in the images.

Bulb required: Standard screw (E27) fitting, max 40W.

Shade weight: 0.4 kg

INFORMATION

Finishes: Brass, Pewter, Copper, Copper & Pewter, Brass & Pewter.

Ready to be installed, installation required.

Wall mount screws not included.

DIMENSIONS

Shade Diameter: 20 cm / 8"

Shade Height: 10 cm / 4"

Dome - 8 Inch - Brass

Shade Only

Dome - 8 Inch - Brass - Shade Only	D8-B-SO
------------------------------------	----------------

Brooklyn Dome Pendant - 8 Inch - Brass

Brooklyn Dome Pendant - 8 Inch - Brass - Brass Holder	BR-DP8-B-BH
---	--------------------

Brooklyn Dome Pendant - 8 Inch - Brass - Pewter Holder	BR-DP8-B-PH
--	--------------------

Brooklyn Dome Flush Mount - 8 Inch - Brass

Brooklyn Dome Flush Mount - 8 Inch - Brass - Brass Holder	BR-DFM8-B-BH
---	---------------------

Brooklyn Dome Flush Mount - 8 Inch - Brass - Pewter Holder	BR-DFM8-B-PH
--	---------------------

Brooklyn Dome Wall Light - 8 Inch - Brass

Brooklyn Dome Wall Light - 8 Inch - Brass - Brass Holder	BR-DWL8-B-BH
--	---------------------

Brooklyn Dome Wall Light - 8 Inch - Brass - Pewter Holder	BR-DWL8-B-PH
---	---------------------

Swan Neck Dome Wall Light - 8 Inch - Brass

Swan Neck Dome Wall Light - 8 Inch - Brass - Brass Holder	SN-DWL8-B-BH
---	---------------------

Sleek Dome Pendant - 8 Inch - Brass

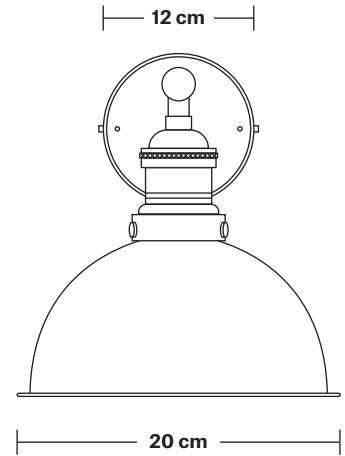
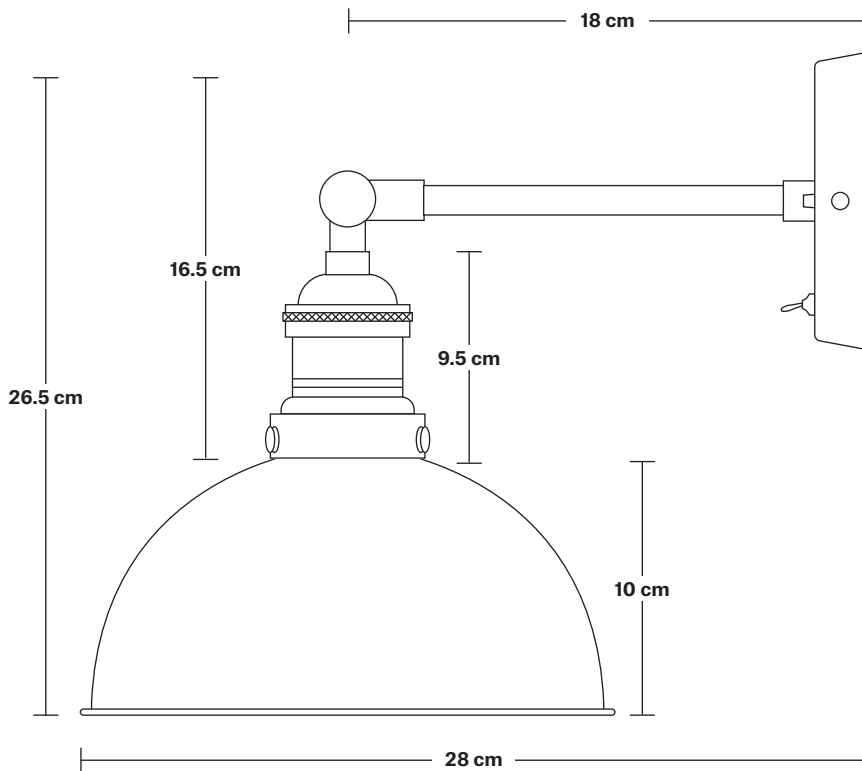
Sleek Dome Pendant - 8 Inch - Brass - Brass Holder	SL-DP8-B-BH
--	--------------------

Sleek Dome Pendant - 8 Inch - Brass - Pewter Holder	SL-DP8-B-PH
---	--------------------

Brooklyn Dome Wall Light - 8 Inch

Product Code: BR-DWL8

H: 26.5 cm x W: 20 cm x D: 28 cm



SPECIFICATIONS

We meet all UK and EU lighting and safety regulations.

Our products are hand finished to ensure an authentic vintage look and therefore they may vary slightly from those shown in the images.

Bulb required: Standard screw (E27) fitting, max 40W.

Shade weight: 0.4 kg | **Holder weight:** 0.6 kg

Maximum weight: 1 kg

INFORMATION

Finishes: Brass, Pewter, Copper, Copper & Pewter, Brass & Pewter.

Ready to be installed, installation required.

Wall mount screws not included.

The lights can be operated by both the flick switch or the main switch.

Holders available: Brass, Pewter and Copper.

DIMENSIONS

Shade Diameter: 20 cm / 8"

Shade Height (no holder): 10 cm / 4"

Holder Diameter: 6 cm / 2.5"

Holder Height: 18 cm / 7.1"

Wall Rose Diameter: 12 cm / 4.9"

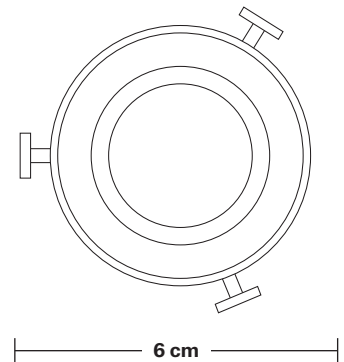
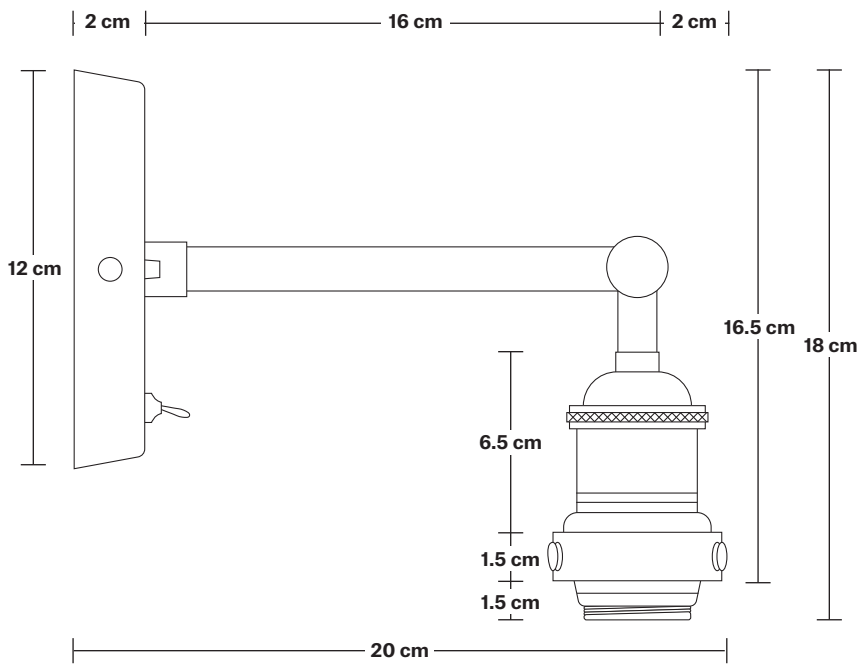
Wall Rose Height: 2 cm / 0.8"

INDUSTVILLE

Brooklyn Wall Light Holder

Product Code: BR-WL

H: 18 cm x W: 12 cm x D: 20 cm



SPECIFICATIONS

We meet all UK and EU lighting and safety regulations.

Our products are hand finished to ensure an authentic vintage look and therefore they may vary slightly from those shown in the images.

Bulb required: Standard screw (E27) fitting, max 40W.

Weight: 0.6 kg

INFORMATION

Finishes: Brass, Pewter and Copper.

Ready to be installed, installation required.

Wall mount screws not included.

Wall mount rose: Pewter.

DIMENSIONS

Holder Diameter: 6 cm / 2.5"

Holder Height: 18 cm / 7.1"

Projection: 20 cm / 7.9"

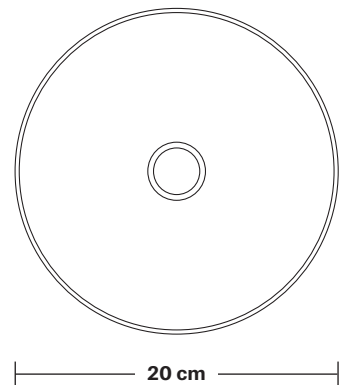
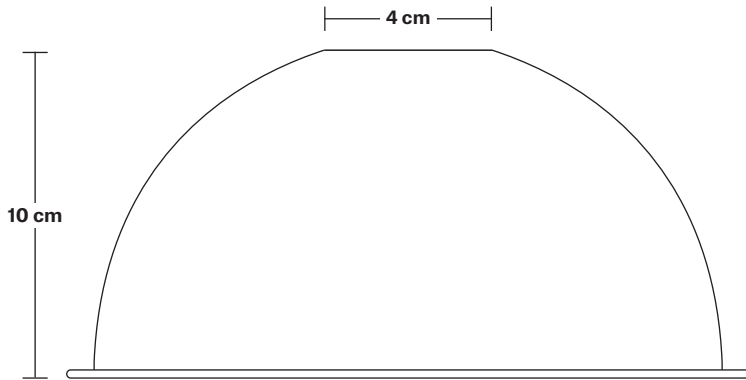
Ceiling Rose Diameter: 12 cm / 4.9"

Ceiling Rose Depth: 2 cm / 0.8"

Dome - 8 Inch - Shade Only

Product Code: D8-SO

H: 10 cm x W: 20 cm x D: 20 cm



SPECIFICATIONS

We meet all UK and EU lighting and safety regulations.

Our products are hand finished to ensure an authentic vintage look and therefore they may vary slightly from those shown in the images.

Bulb required: Standard screw (E27) fitting, max 40W.

Shade weight: 0.4 kg

INFORMATION

Finishes: Brass, Pewter, Copper, Copper & Pewter, Brass & Pewter.

Ready to be installed, installation required.

Wall mount screws not included.

DIMENSIONS

Shade Diameter: 20 cm / 8"

Shade Height: 10 cm / 4"

Dome - 8 Inch - Pewter & Copper

Shade Only

Dome - 8 Inch - Pewter & Copper - Shade Only	D8-CP-SO
--	-----------------

Brooklyn Dome Pendant - 8 Inch - Pewter & Copper

Brooklyn Dome Pendant - 8 Inch - Pewter & Copper - Pewter Holder	BR-DP8-CP-PH
--	---------------------

Brooklyn Dome Pendant - 8 Inch - Pewter & Copper - Copper Holder	BR-DP8-CP-CH
--	---------------------

Brooklyn Dome Flush Mount - 8 Inch - Pewter & Copper

Brooklyn Dome Flush Mount - 8 Inch - Pewter & Copper - Pewter Holder	BR-DFM8-CP-PH
--	----------------------

Brooklyn Dome Flush Mount - 8 Inch - Pewter & Copper - Copper Holder	BR-DFM8-CP-CH
--	----------------------

Brooklyn Dome Wall Light - 8 Inch - Pewter & Copper

Brooklyn Dome Wall Light - 8 Inch - Pewter & Copper - Pewter Holder	BR-DWL8-CP-PH
---	----------------------

Brooklyn Dome Wall Light - 8 Inch - Pewter & Copper - Copper Holder	BR-DWL8-CP-CH
---	----------------------

Sleek Dome Pendant - 8 Inch - Pewter & Copper

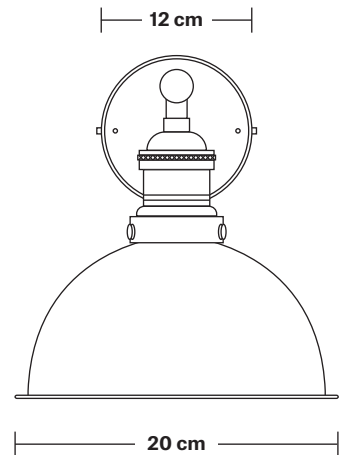
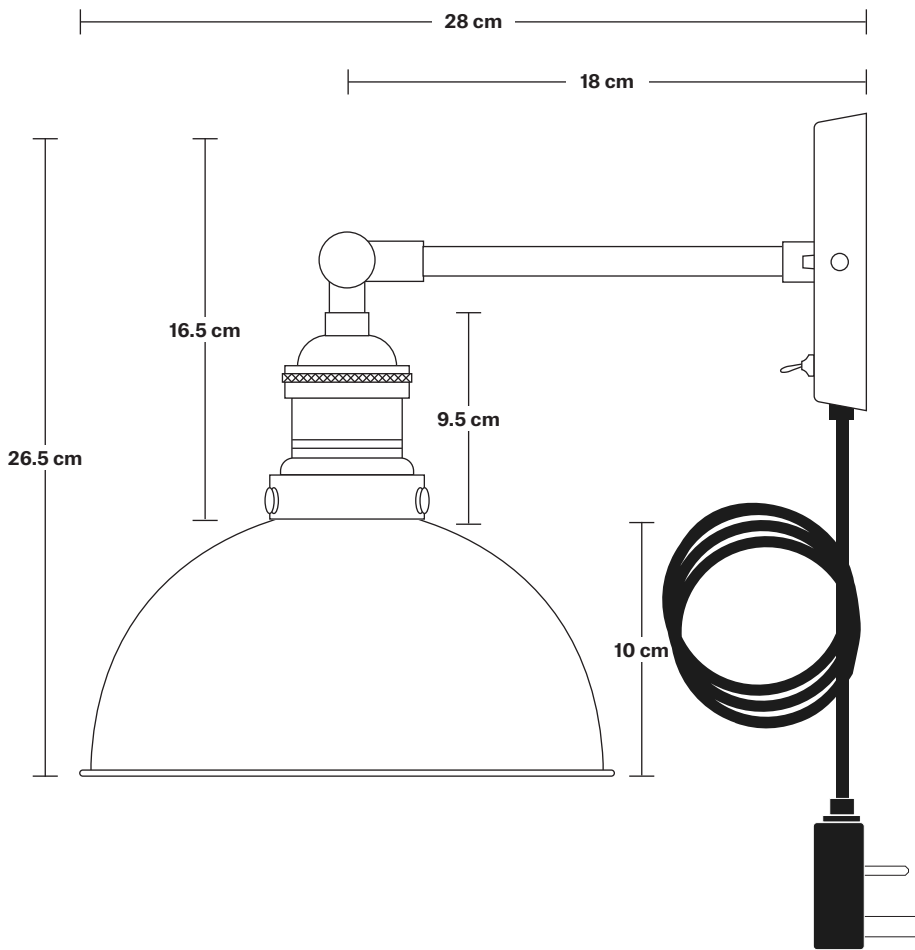
Sleek Dome Pendant - 8 Inch - Pewter & Copper - Pewter Holder	SL-DP8-CP-PH
---	---------------------

Sleek Dome Pendant - 8 Inch - Pewter & Copper - Copper Holder	SL-DP8-CP-CH
---	---------------------

Brooklyn Dome Wall Light - 8 Inch - With Plug

Product Code: BR-DWL8-FLWP

H: 26.5 cm x W: 20 cm x D: 28 cm



SPECIFICATIONS

We meet all UK and EU lighting and safety regulations.

Our products are hand finished to ensure an authentic vintage look and therefore they may vary slightly from those shown in the images.

Bulb required: Standard screw (E27) fitting, max 40W.

Shade weight: 0.4 kg | **Holder weight:** 0.7 kg

Maximum weight: 1.1 kg

INFORMATION

Finishes: Pewter

Wall mount screws not included.

The lights can be operated by both the flick switch or the main switch.

Holders available: Brass, Pewter, Copper.

Flex: 1.3m Black Twisted Fabric Flex.

Plug: UK AC power plug BS1362

DIMENSIONS

Shade Diameter: 20 cm / 8"

Shade Height (no holder): 10 cm / 4"

Holder Diameter: 6 cm / 2.5"

Holder Height: 18 cm / 7.1"

Wall Rose Diameter: 12 cm / 4.9"

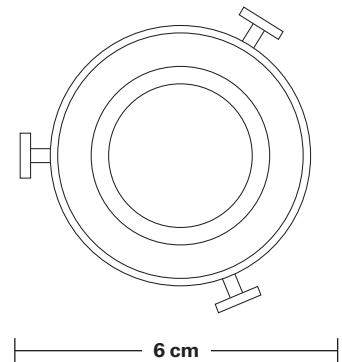
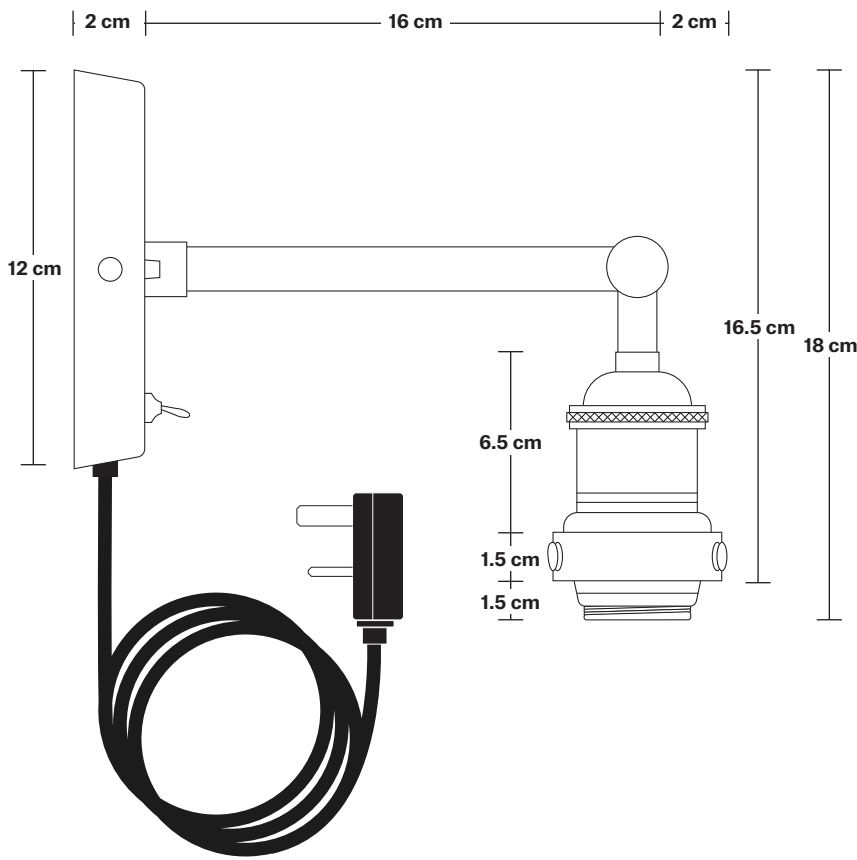
Wall Rose Height: 2 cm / 0.8"

INDUSTVILLE

Brooklyn Wall Holder With Plug

Product Code: BR-WL-FLWP

H: 18 cm x W: 12 cm x D: 20 cm



SPECIFICATIONS

We meet all UK and EU lighting and safety regulations.

Our products are hand finished to ensure an authentic vintage look and therefore they may vary slightly from those shown in the images.

Bulb required: Standard screw (E27) fitting, max 40W.

Weight: 0.7 kg

INFORMATION

Finishes: Brass, Pewter, Copper.

Wall mount screws not included.

The lights can be operated by both the flick switch or the main switch.

Wall rose: Pewter.

Flex: 1.3m Black Twisted Fabric Flex.

Plug: UK AC power plug BS1362

DIMENSIONS

Holder Diameter: 6 cm / 2.5"

Holder Height: 18 cm / 7.1"

Projection: 20 cm / 7.9"

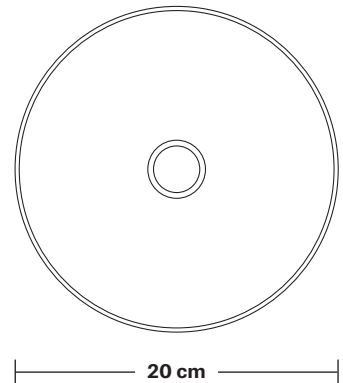
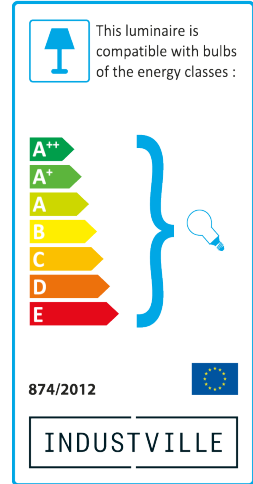
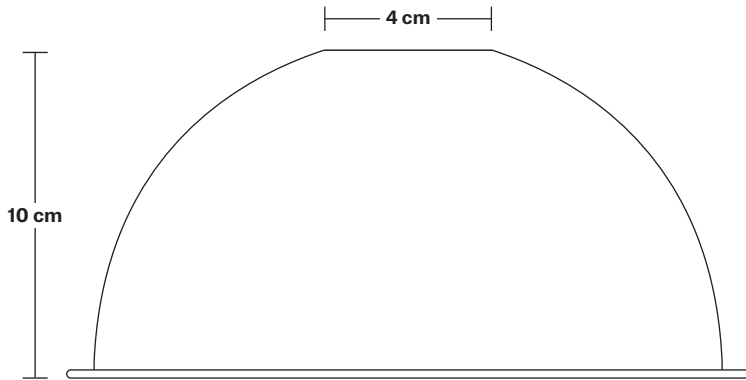
Wall Rose Diameter: 12 cm / 4.9"

Wall Rose Depth: 2 cm / 0.8"

Dome - 8 Inch - Shade Only

Product Code: D8-SO

H: 10 cm x W: 20 cm x D: 20 cm



SPECIFICATIONS

We meet all UK and EU lighting and safety regulations.

Our products are hand finished to ensure an authentic vintage look and therefore they may vary slightly from those shown in the images.

Bulb required: Standard screw (E27) fitting, max 40W.

Shade weight: 0.4 kg

INFORMATION

Finishes: Brass, Pewter, Copper, Copper & Pewter, Brass & Pewter.

Ready to be installed, installation required.

Wall mount screws not included.

DIMENSIONS

Shade Diameter: 20 cm / 8"

Shade Height: 10 cm / 4"

Brooklyn Dome Wall Light - 8 Inch - Pewter - With Plug

Shade Only

Dome - 8 Inch - Pewter - Shade Only

D8-P-SO

Brooklyn Dome Wall Light - 8 Inch - Pewter

Brooklyn Dome Wall Light - 8 Inch - Pewter - Brass Holder With Plug

BR-DWL8-P-BH-FLWP

Brooklyn Dome Wall Light - 8 Inch - Pewter - PewterHolder With Plug

BR-DWL8-P-PH-FLWP

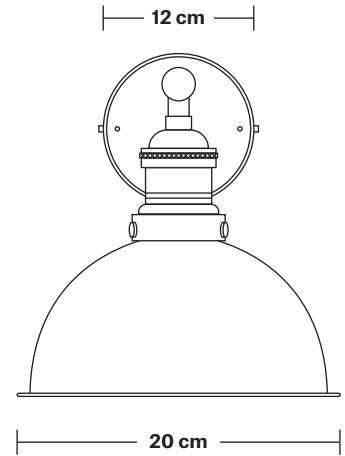
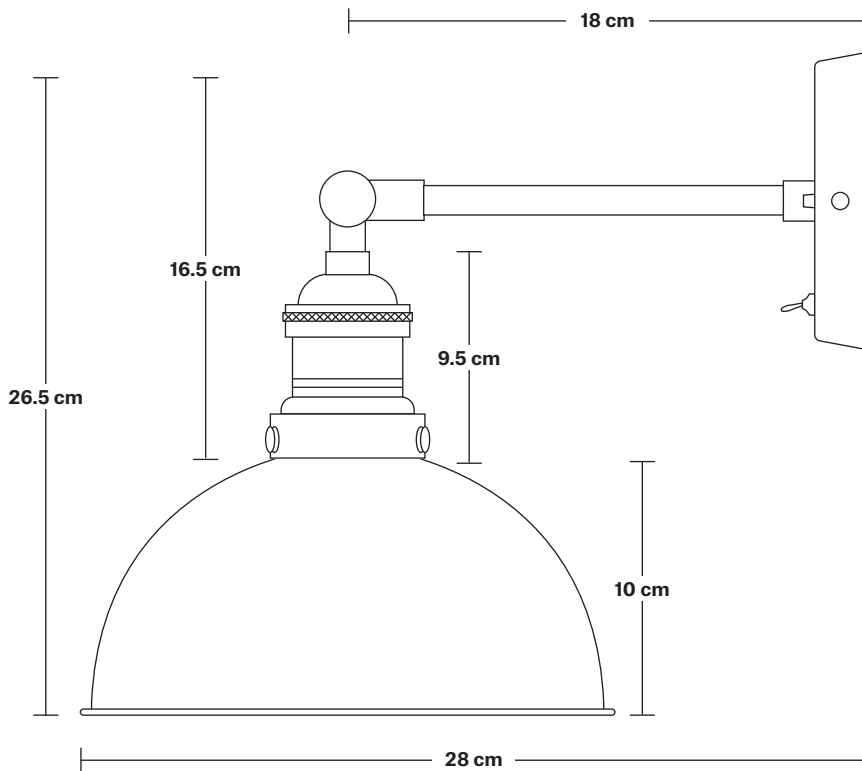
Brooklyn Dome Wall Light - 8 Inch - Pewter - Copper Holder With Plug

BR-DWL8-P-CH-FLWP

Brooklyn Dome Wall Light - 8 Inch

Product Code: BR-DWL8

H: 26.5 cm x W: 20 cm x D: 28 cm



SPECIFICATIONS

We meet all UK and EU lighting and safety regulations.

Our products are hand finished to ensure an authentic vintage look and therefore they may vary slightly from those shown in the images.

Bulb required: Standard screw (E27) fitting, max 40W.

Shade weight: 0.4 kg | **Holder weight:** 0.6 kg

Maximum weight: 1 kg

INFORMATION

Finishes: Brass, Pewter, Copper, Copper & Pewter, Brass & Pewter.

Ready to be installed, installation required.

Wall mount screws not included.

The lights can be operated by both the flick switch or the main switch.

Holders available: Brass, Pewter and Copper.

DIMENSIONS

Shade Diameter: 20 cm / 8"

Shade Height (no holder): 10 cm / 4"

Holder Diameter: 6 cm / 2.5"

Holder Height: 18 cm / 7.1"

Wall Rose Diameter: 12 cm / 4.9"

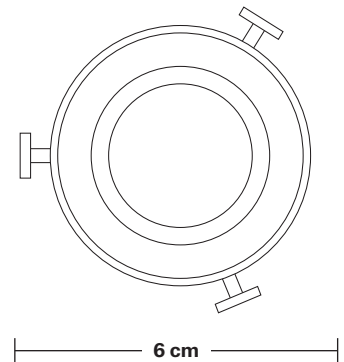
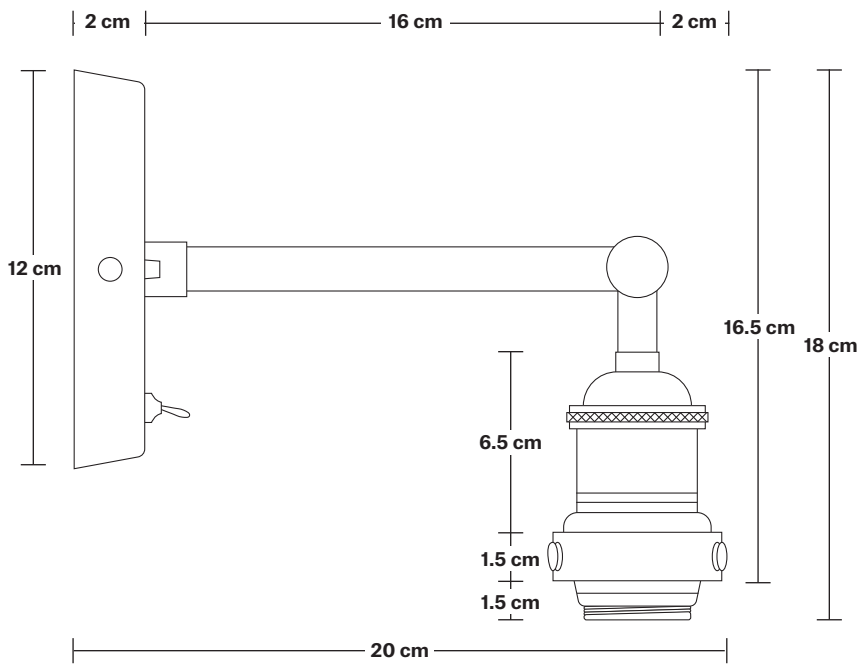
Wall Rose Height: 2 cm / 0.8"

INDUSTVILLE

Brooklyn Wall Light Holder

Product Code: BR-WL

H: 18 cm x W: 12 cm x D: 20 cm



SPECIFICATIONS

We meet all UK and EU lighting and safety regulations.

Our products are hand finished to ensure an authentic vintage look and therefore they may vary slightly from those shown in the images.

Bulb required: Standard screw (E27) fitting, max 40W.

Weight: 0.6 kg

INFORMATION

Finishes: Brass, Pewter and Copper.

Ready to be installed, installation required.

Wall mount screws not included.

Wall mount rose: Pewter.

DIMENSIONS

Holder Diameter: 6 cm / 2.5"

Holder Height: 18 cm / 7.1"

Projection: 20 cm / 7.9"

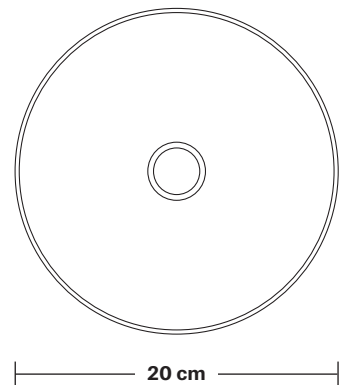
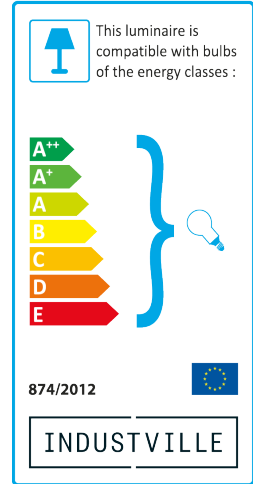
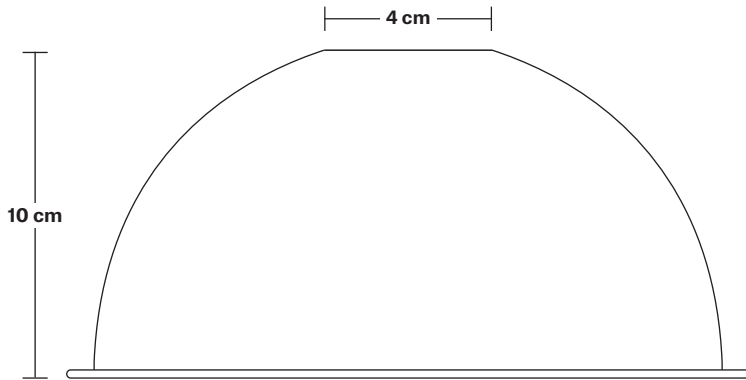
Ceiling Rose Diameter: 12 cm / 4.9"

Ceiling Rose Depth: 2 cm / 0.8"

Dome - 8 Inch - Shade Only

Product Code: D8-SO

H: 10 cm x W: 20 cm x D: 20 cm



SPECIFICATIONS

We meet all UK and EU lighting and safety regulations.

Our products are hand finished to ensure an authentic vintage look and therefore they may vary slightly from those shown in the images.

Bulb required: Standard screw (E27) fitting, max 40W.

Shade weight: 0.4 kg

INFORMATION

Finishes: Brass, Pewter, Copper, Copper & Pewter, Brass & Pewter.

Ready to be installed, installation required.

Wall mount screws not included.

DIMENSIONS

Shade Diameter: 20 cm / 8"

Shade Height: 10 cm / 4"

Dome - 8 Inch - Pewter

Shade Only

Dome - 8 Inch - Pewter - Shade Only	D8-P-SO
-------------------------------------	----------------

Brooklyn Dome Pendant - 8 Inch - Pewter

Brooklyn Dome Pendant - 8 Inch - Pewter - Brass Holder	BR-DP8-P-BH
--	--------------------

Brooklyn Dome Pendant - 8 Inch - Pewter - Pewter Holder	BR-DP8-P-PH
---	--------------------

Brooklyn Dome Pendant - 8 Inch - Pewter - Copper Holder	BR-DP8-P-CH
---	--------------------

Brooklyn Dome Flush Mount - 8 Inch - Pewter

Brooklyn Dome Flush Mount - 8 Inch - Pewter - Brass Holder	BR-DFM8-P-BH
--	---------------------

Brooklyn Dome Flush Mount - 8 Inch - Pewter - Pewter Holder	BR-DFM8-P-PH
---	---------------------

Brooklyn Dome Flush Mount - 8 Inch - Pewter - Copper Holder	BR-DFM8-P-CH
---	---------------------

Brooklyn Dome Wall Light - 8 Inch - Pewter

Brooklyn Dome Wall Light - 8 Inch - Pewter - Brass Holder	BR-DWL8-P-BH
---	---------------------

Brooklyn Dome Wall Light - 8 Inch - Pewter - Pewter Holder	BR-DWL8-P-PH
--	---------------------

Brooklyn Dome Wall Light - 8 Inch - Pewter - Copper Holder	BR-DWL8-P-CH
--	---------------------

Swan Neck Dome Wall Light - 8 Inch - Pewter

Swan Neck Dome Wall Light - 8 Inch - Pewter - Pewter Holder	SN-DWL8-P-PH
---	---------------------

Sleek Dome Pendant - 8 Inch - Pewter

Sleek Dome Pendant - 8 Inch - Pewter - Brass Holder	SL-DP8-P-BH
---	--------------------

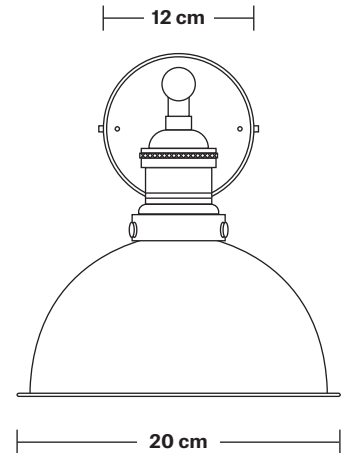
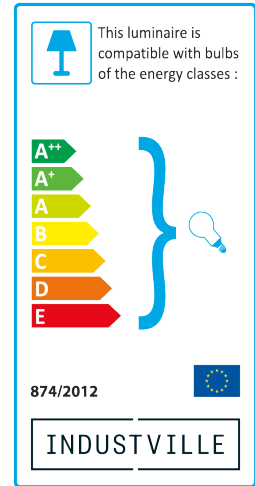
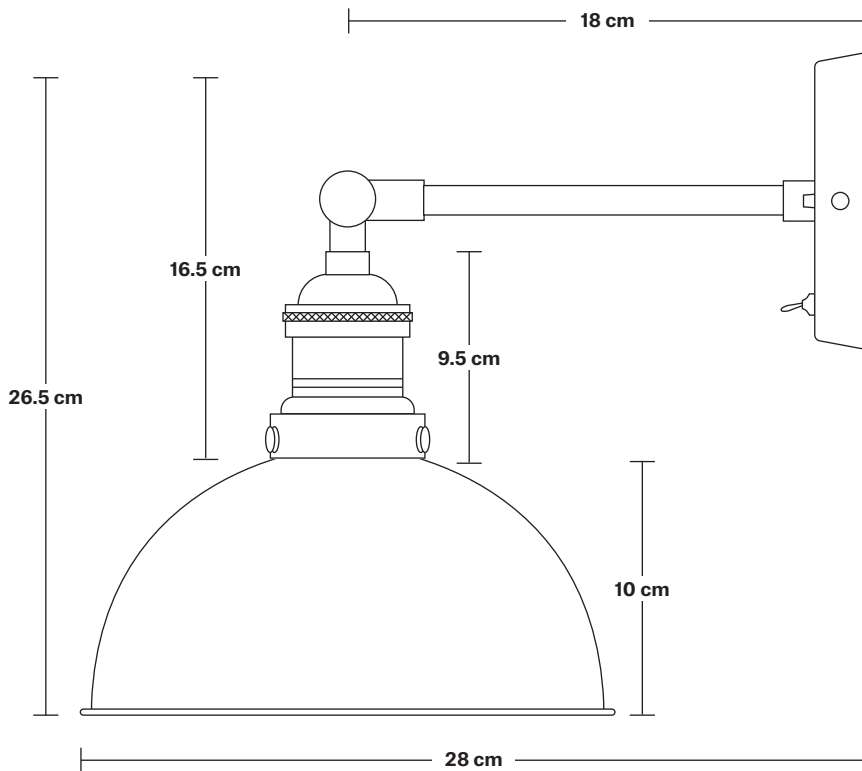
Sleek Dome Pendant - 8 Inch - Pewter - Pewter Holder	SL-DP8-P-PH
--	--------------------

Sleek Dome Pendant - 8 Inch - Pewter - Copper Holder	SL-DP8-P-CH
--	--------------------

Brooklyn Dome Wall Light - 8 Inch

Product Code: BR-DWL8

H: 26.5 cm x W: 20 cm x D: 28 cm



SPECIFICATIONS

We meet all UK and EU lighting and safety regulations.

Our products are hand finished to ensure an authentic vintage look and therefore they may vary slightly from those shown in the images.

Bulb required: Standard screw (E27) fitting, max 40W.

Shade weight: 0.4 kg | **Holder weight:** 0.6 kg

Maximum weight: 1 kg

INFORMATION

Finishes: Brass, Pewter, Copper, Copper & Pewter, Brass & Pewter.

Ready to be installed, installation required.

Wall mount screws not included.

The lights can be operated by both the flick switch or the main switch.

Holders available: Brass, Pewter and Copper.

DIMENSIONS

Shade Diameter: 20 cm / 8"

Shade Height (no holder): 10 cm / 4"

Holder Diameter: 6 cm / 2.5"

Holder Height: 18 cm / 7.1"

Wall Rose Diameter: 12 cm / 4.9"

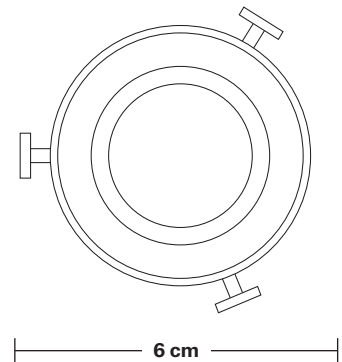
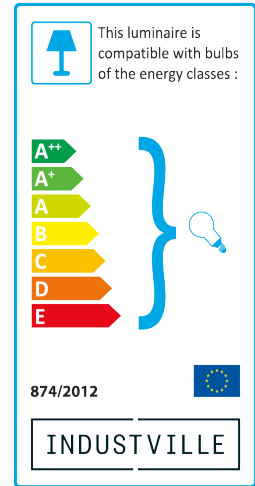
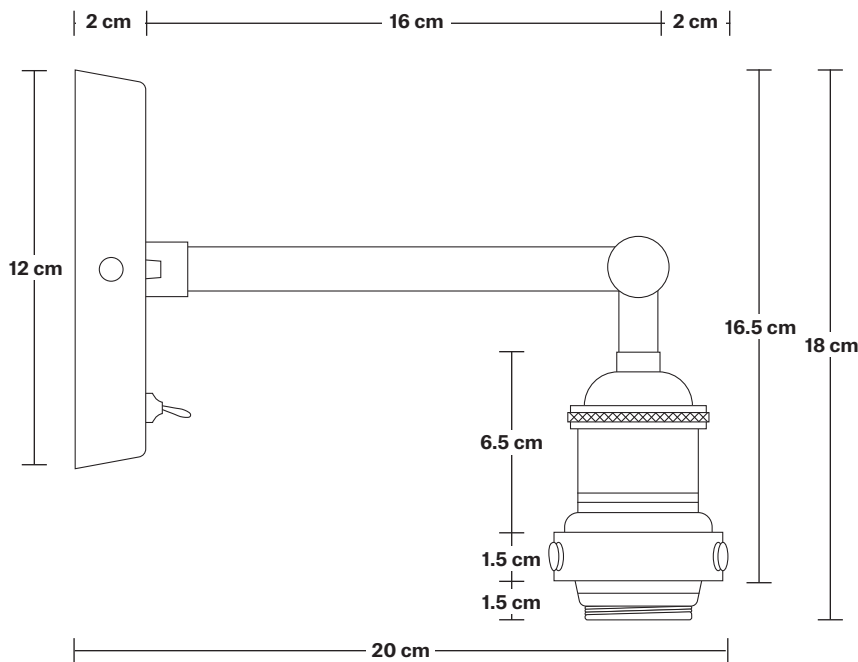
Wall Rose Height: 2 cm / 0.8"

INDUSTVILLE

Brooklyn Wall Light Holder

Product Code: BR-WL

H: 18 cm x W: 12 cm x D: 20 cm



SPECIFICATIONS

We meet all UK and EU lighting and safety regulations.

Our products are hand finished to ensure an authentic vintage look and therefore they may vary slightly from those shown in the images.

Bulb required: Standard screw (E27) fitting, max 40W.

Weight: 0.6 kg

INFORMATION

Finishes: Brass, Pewter and Copper.

Ready to be installed, installation required.

Wall mount screws not included.

Wall mount rose: Pewter.

DIMENSIONS

Holder Diameter: 6 cm / 2.5"

Holder Height: 18 cm / 7.1"

Projection: 20 cm / 7.9"

Ceiling Rose Diameter: 12 cm / 4.9"

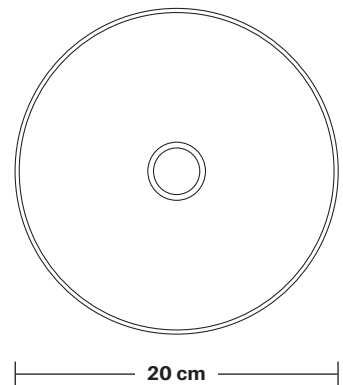
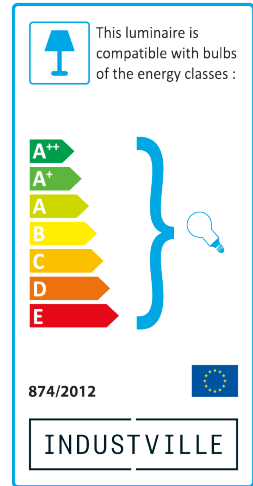
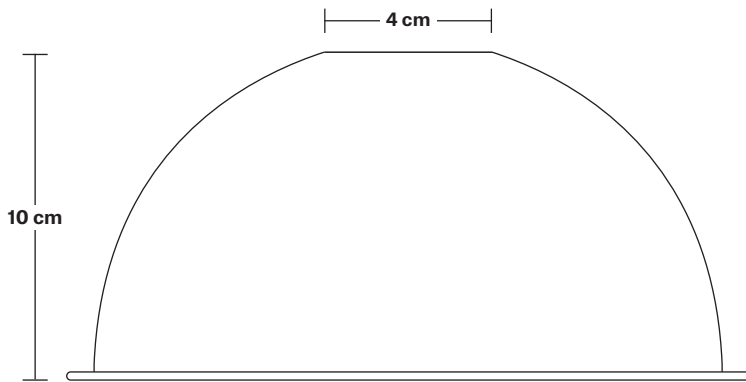
Ceiling Rose Depth: 2 cm / 0.8"

INDUSTVILLE

Dome - 8 Inch - Shade Only

Product Code: D8-SO

H: 10 cm x W: 20 cm x D: 20 cm



SPECIFICATIONS

We meet all UK and EU lighting and safety regulations.

Our products are hand finished to ensure an authentic vintage look and therefore they may vary slightly from those shown in the images.

Bulb required: Standard screw (E27) fitting, max 40W.

Shade weight: 0.4 kg

INFORMATION

Finishes: Brass, Pewter, Copper, Copper & Pewter, Brass & Pewter.

Ready to be installed, installation required.

Wall mount screws not included.

DIMENSIONS

Shade Diameter: 20 cm / 8"

Shade Height: 10 cm / 4"

Dome - 8 Inch - Pewter & Brass

Shade Only

Dome - 8 Inch - Pewter & Brass - Shade Only	D8-BP-SO
---	-----------------

Brooklyn Dome Pendant - 8 Inch - Pewter & Brass

Brooklyn Dome Pendant - 8 Inch - Pewter & Brass - Brass Holder	BR-DP8-BP-BH
--	---------------------

Brooklyn Dome Pendant - 8 Inch - Pewter & Brass - Pewter Holder	BR-DP8-BP-PH
---	---------------------

Brooklyn Dome Flush Mount - 8 Inch - Pewter & Brass

Brooklyn Dome Flush Mount - 8 Inch - Pewter & Brass - Brass Holder	BR-DFM8-BP-BH
--	----------------------

Brooklyn Dome Flush Mount - 8 Inch - Pewter & Brass - Pewter Holder	BR-DFM8-BP-PH
---	----------------------

Brooklyn Dome Wall Light - 8 Inch - Pewter & Brass

Brooklyn Dome Wall Light - 8 Inch - Pewter & Brass - Brass Holder	BR-DWL8-BP-BH
---	----------------------

Brooklyn Dome Wall Light - 8 Inch - Pewter & Brass - Pewter Holder	BR-DWL8-BP-PH
--	----------------------

Sleek Dome Pendant - 8 Inch - Pewter & Brass

Sleek Dome Pendant - 8 Inch - Pewter & Brass - Brass Holder	SL-DP8-BP-BH
---	---------------------

Sleek Dome Pendant - 8 Inch - Pewter & Brass - Pewter Holder	SL-DP8-BP-PH
--	---------------------