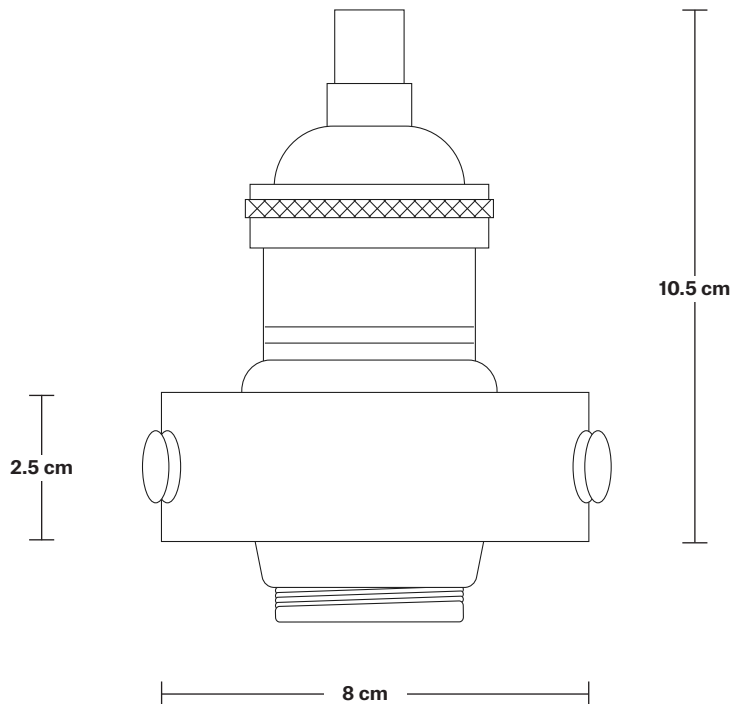


8 cm



Brooklyn ES E27 Large Glass Bulb Holder

SPECIFICATIONS

We meet all UK and EU lighting and safety regulations.

Our products are hand finished to ensure an authentic vintage look and therefore they may vary slightly from those shown in the images.

Bulb required: Standard screw (E27) fitting, max 40W.

Weight: 0.3 kg

INFORMATION

Product Code: BR-GLBH

Finishes: Brass, Pewter, Copper.

Ready to be installed, installation required.

DIMENSIONS

H: 10.5 cm x **W:** 8 cm x **D:** 8 cm

Holder Diameter: 8 cm / 3.1"

Holder Height: 10.5 cm / 4.1"