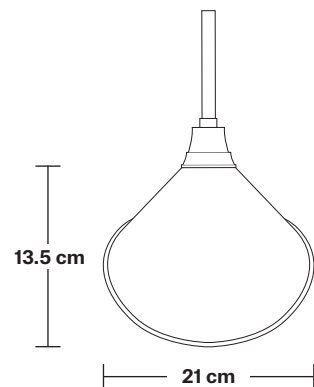
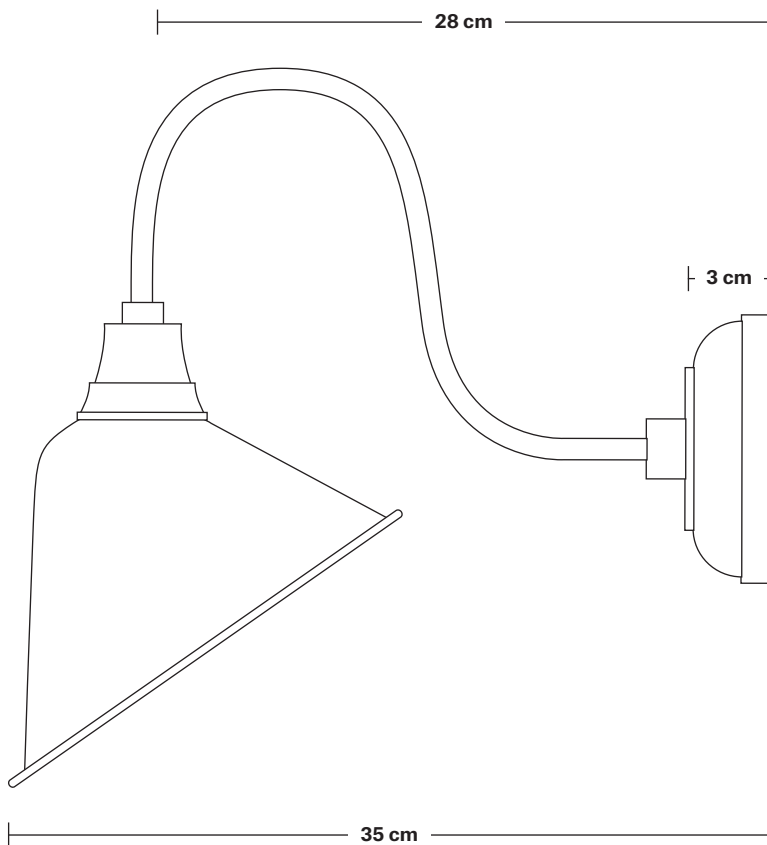


Swan Neck Cone Wall Light - 8 Inch

Product Code: SN-CWL8

H: 32 cm x W: 21 cm x D: 35 cm



SPECIFICATIONS

We meet all UK and EU lighting and safety regulations.

Our products are hand finished to ensure an authentic vintage look and therefore they may vary slightly from those shown in the images.

Bulb required: Standard screw (E27) fitting, max 40W.

Shade weight: 0.25 kg | **Holder weight:** 0.6 kg

Maximum weight: 0.85 kg

INFORMATION

Finishes: Brass and Pewter.

Ready to be installed, installation required.

Wall mount screws not included.

Holders available: Brass and Pewter.

Wall Mount: Pewter.

DIMENSIONS

Shade Diameter: 21 cm / 8.2"

Shade Height (no holder): 13.5 cm / 5.3"

Holder Depth: 6 cm / 2.3"

Holder Height: 25 cm / 10"

Ceiling Rose Diameter: 13 cm / 5.1"

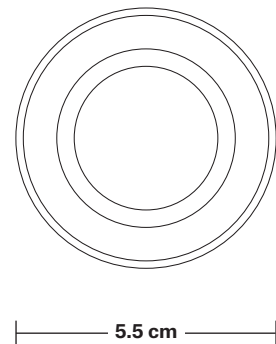
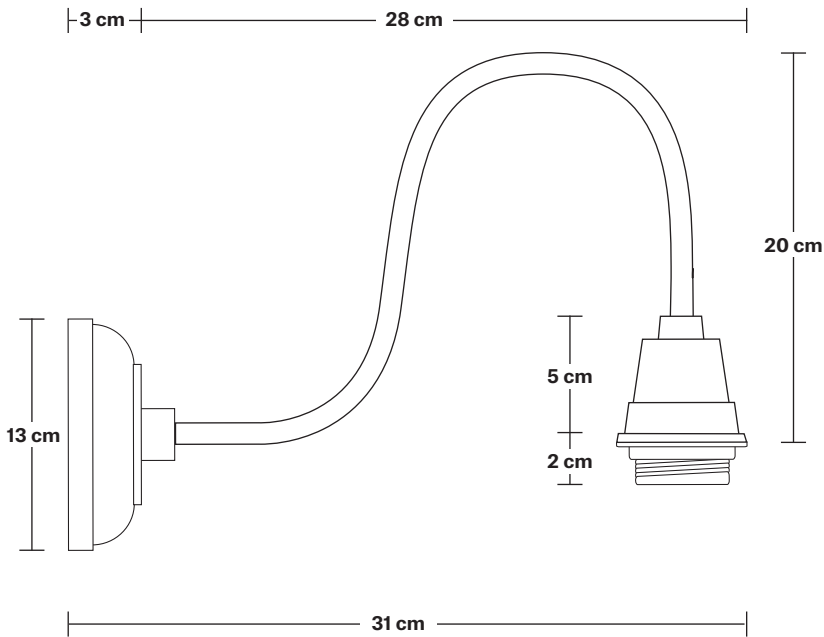
Ceiling Rose Height: 3 cm / 1.2"

INDUSTVILLE

Swan Neck Angled Wall Holder

Product Code: SN-AWL

H: 27 cm x W: 13 cm x D: 31 cm



SPECIFICATIONS

We meet all UK and EU lighting and safety regulations.

Our products are hand finished to ensure an authentic vintage look and therefore they may vary slightly from those shown in the images.

Bulb required: Standard screw (E27) fitting, max 40W.

Weight: 0.6 kg

INFORMATION

Finishes: Brass, Pewter.

Ready to be installed, installation required.

Wall mount screws not included.

Wall mount rose: Brass, Pewter.

DIMENSIONS

Holder Diameter: 5.5 cm / 2.1"

Holder Height: 22 cm / 8.6"

Projection: 27 cm / 10.6"

Wall Rose Diameter: 13 cm / 5.1"

Wall Rose Depth: 3 cm / 1.2"

Swan Neck Cone Wall Light - 8 Inch - Pewter

Shade Only

Cone - 8 Inch - Pewter - Shade Only

C8-P-SO

Swan Neck Round Wall Light - 11 Inch - Pewter

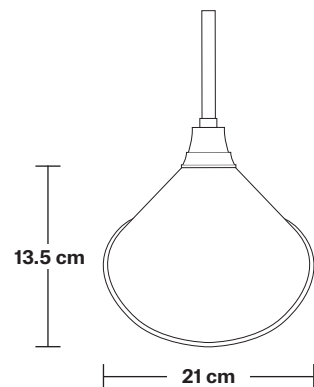
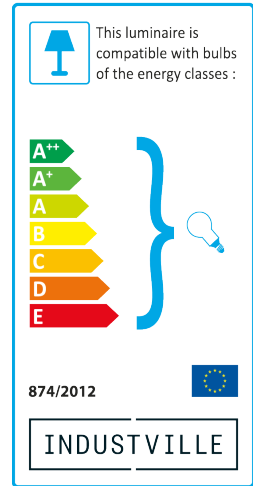
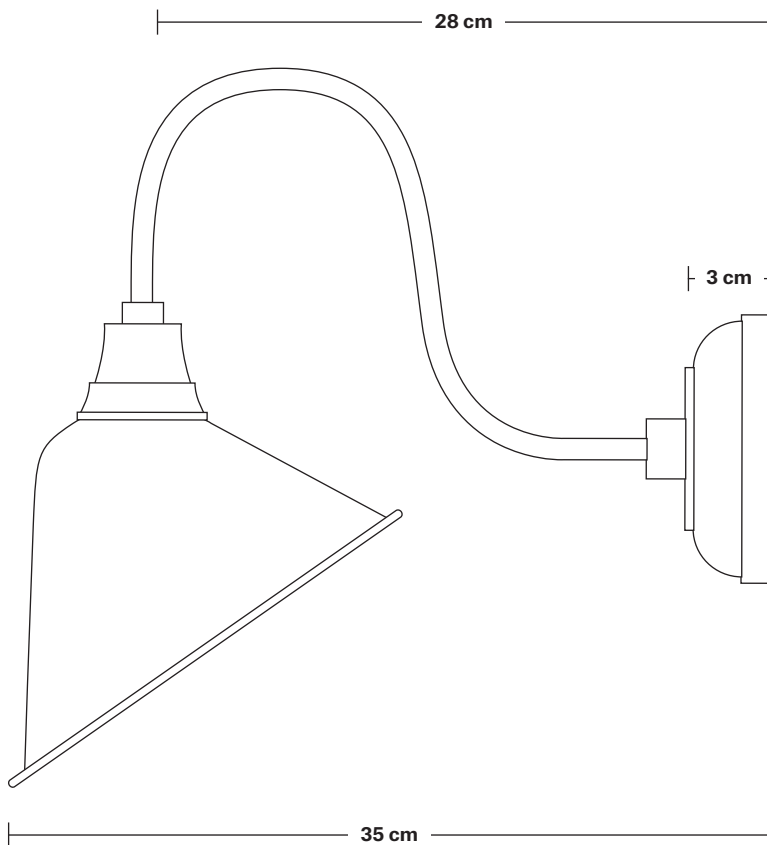
Swan Neck Round Wall Light - 11 Inch - Pewter

SN-RWL11-P

Swan Neck Cone Wall Light - 8 Inch

Product Code: SN-CWL8

H: 32 cm x W: 21 cm x D: 35 cm



SPECIFICATIONS

We meet all UK and EU lighting and safety regulations.

Our products are hand finished to ensure an authentic vintage look and therefore they may vary slightly from those shown in the images.

Bulb required: Standard screw (E27) fitting, max 40W.

Shade weight: 0.25 kg | **Holder weight:** 0.6 kg

Maximum weight: 0.85 kg

INFORMATION

Finishes: Brass and Pewter.

Ready to be installed, installation required.

Wall mount screws not included.

Holders available: Brass and Pewter.

Wall Mount: Pewter.

DIMENSIONS

Shade Diameter: 21 cm / 8.2"

Shade Height (no holder): 13.5 cm / 5.3"

Holder Depth: 6 cm / 2.3"

Holder Height: 25 cm / 10"

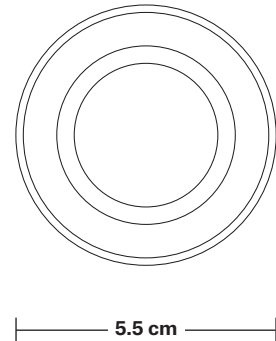
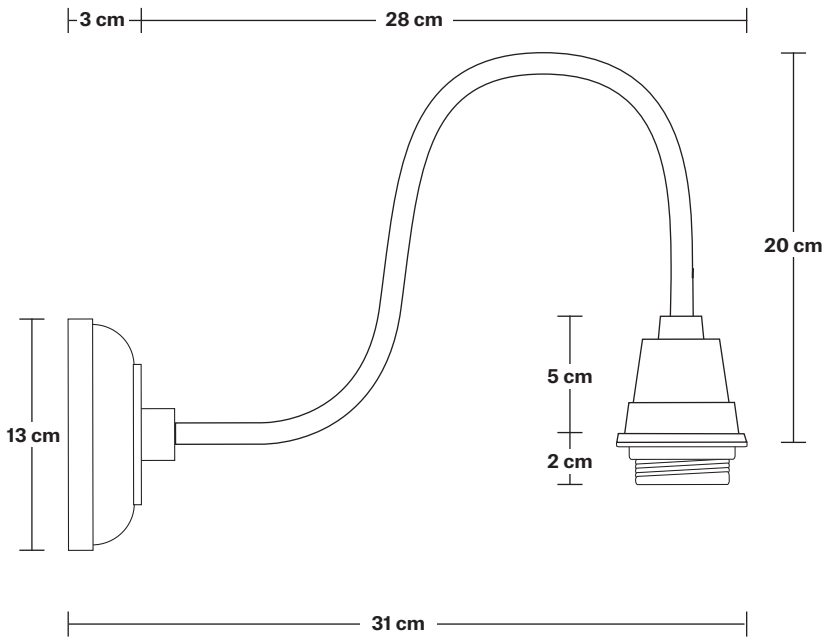
Ceiling Rose Diameter: 13 cm / 5.1"

Ceiling Rose Height: 3 cm / 1.2"

Swan Neck Angled Wall Holder

Product Code: SN-AWL

H: 27 cm x W: 13 cm x D: 31 cm



SPECIFICATIONS

We meet all UK and EU lighting and safety regulations.

Our products are hand finished to ensure an authentic vintage look and therefore they may vary slightly from those shown in the images.

Bulb required: Standard screw (E27) fitting, max 40W.

Weight: 0.6 kg

INFORMATION

Finishes: Brass, Pewter.

Ready to be installed, installation required.

Wall mount screws not included.

Wall mount rose: Brass, Pewter.

DIMENSIONS

Holder Diameter: 5.5 cm / 2.1"

Holder Height: 22 cm / 8.6"

Projection: 27 cm / 10.6"

Wall Rose Diameter: 13 cm / 5.1"

Wall Rose Depth: 3 cm / 1.2"

INDUSTVILLE

Swan Neck Cone Wall Light - 8 Inch - Brass

Shade Only

Cone - 8 Inch - Brass - Shade Only

C8-B-SO

Swan Neck Round Wall Light - 11 Inch - Brass

Swan Neck Round Wall Light - 11 Inch - Brass

SN-RWL11-B
